








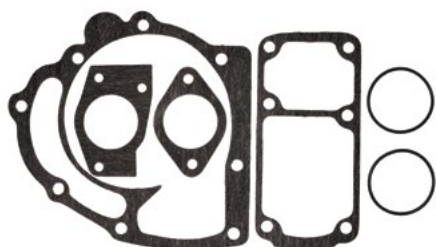
FEMPAR

TRUCK SPARE PARTS

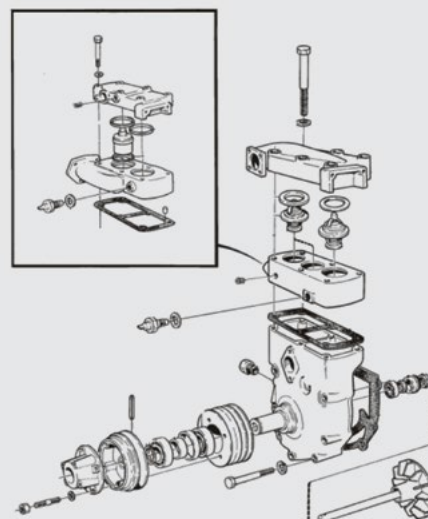
	WATER PUMP - VOLVO	2-20
	WATER PUMP - SCANIA	21-26
	WATER PUMP - MERCEDES	27-47
	WATER PUMP - MAN	48-63
	WATER PUMP - DAF	64-72
	WATER PUMP - RENAULT	73-81
	WATER PUMP - IVECO	82-88

www.fempar.com.tr/export@fempar.com.tr

WATER PUMP



Fempar No	Cross References	Vehicle/Model	Engine
180-940-001	1699789	N 10	TD 100 A
	1698619	NL 10/S	TD 101 USA
	1545427	N 10 Mark II	
	467915	CH 306 000→	



REPAIR KIT



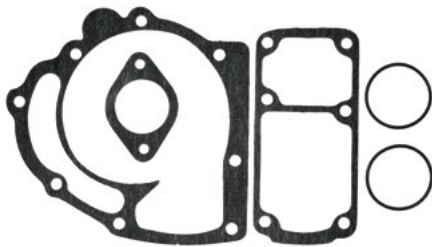
Fempar No	Cross References	Vehicle/Model	Engine
180-940-001-R	275608-1	F 10	D 100 B
		N 10	TD 100 A/B/BG/G/GA
		NL 10/S	FD 101 G/GA/USA
		N 10 Mark II	TD 102/103

Remarks

to fit water pumps:

1699789	1545248	1698618
1699788	467915	1698619
1545427	467907	

WATER PUMP



Fempar No	Cross References	Vehicle/Model	Engine
180-940-002	1699785 1698617 1698615 467906 422312	F 10	TD 100 A/B TD 100 BG TD 100 GA TD 101 G/GA TD 102/103

REPAIR KIT

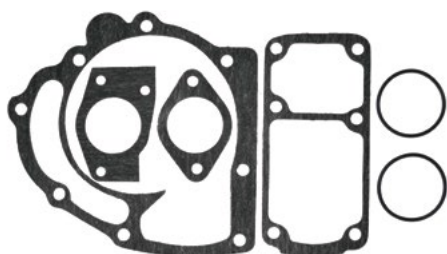


Fempar No	Cross References	Vehicle/Model	Engine
180-940-002-R	275608-2	F 10 N 10 NL 10/S N 10 Mark II	D 100 B TD 100 A/B/BG/G/GA FD 101 G/GA/USA TD 102/103

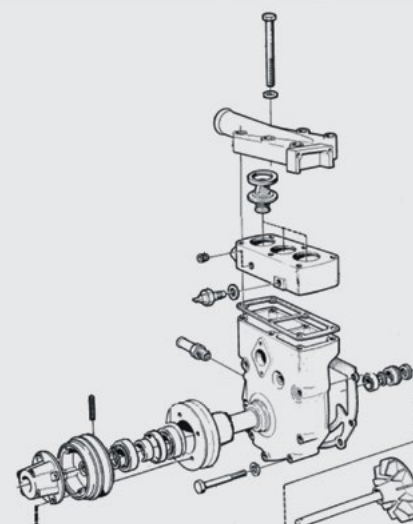
Remarks

to fit water pumps:
 1699785 1545246
 1698617 467906
 1698615 422312

WATER PUMP



Fempar No	Cross References	Vehicle/Model	Engine
180-940-003	1699788 1698618 1545248 467907	N 10 NL 10/S N 10 Mark II	TD 100 B/G TD 101 G TD 102



REPAIR KIT



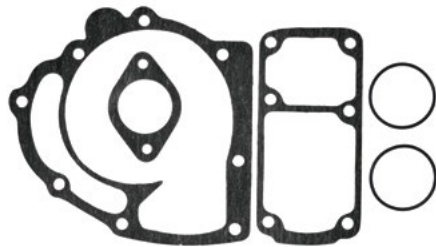
Fempar No	Cross References	Vehicle/Model	Engine
180-940-003-R	275608-1	F 10 N 10 NL 10/S N 10 Mark II	D 100 B TD 100 A/B/BG/G/GA FD 101 G/GA/USA TD 102/103

Remarks

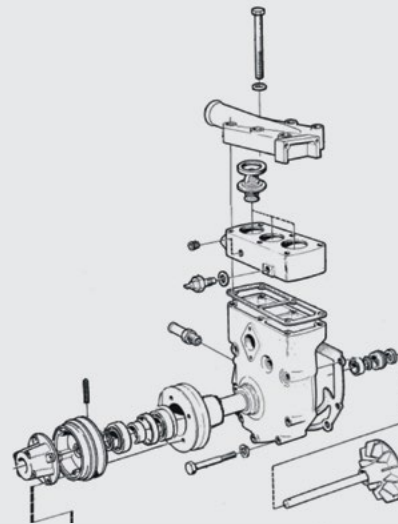
to fit water pumps:

1699789	1545248	1698618
1699788	467915	1698619
1545427	467907	

WATER PUMP



Fempar No	Cross References	Vehicle/Model	Engine
180-940-004	1545246	F 10	TD 101 G/GA TD 102/103



REPAIR KIT

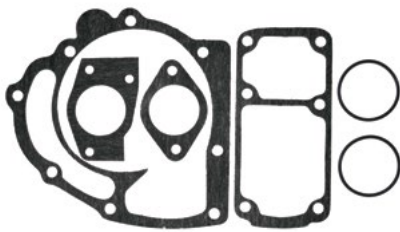


Fempar No	Corss References	Vehicle/Model	Engine
180-940-004-R	275608-2	F 10 N 10 NL 10/S N 10 Mark II	D 100 B TD 100 A/B/BG/G/GA FD 101 G/GA/USA TD 102/103

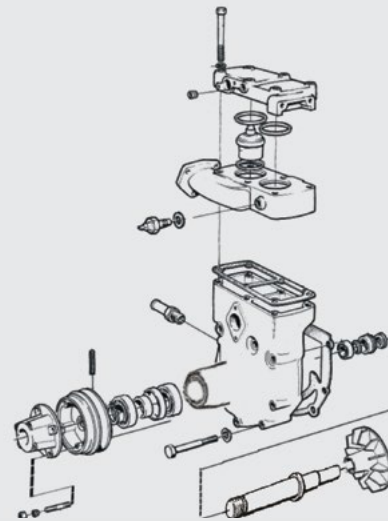
Remarks

to fit water pumps:
 1699785 1545246
 1698617 467906
 1698615 422312

WATER PUMP



Fempar No	Cross References	Vehicle/Model	Engine
180-940-005	1545248-1	F 10 - PERSIA	TD 101

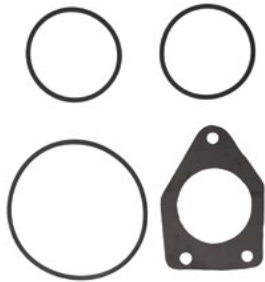


REPAIR KIT

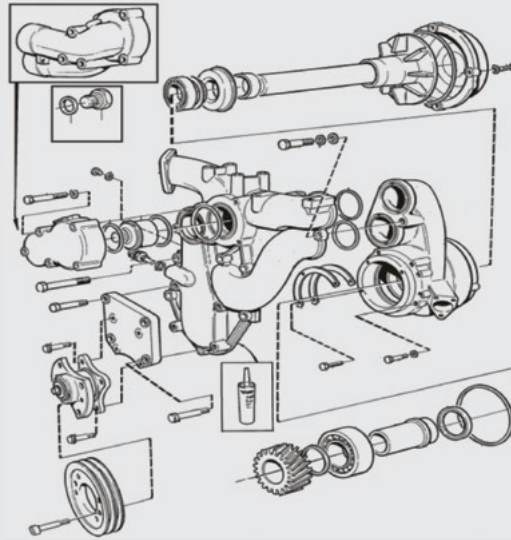


Fempar No	Cross References	Vehicle/Model	Engine
180-940-005-R		F 10 - PERSIA	TD 101

WATER PUMP



Fempar No	Cross References	Vehicle/Model	Engine
180-940-006	422791	F 10 F 12	TD 102 F TD 122 FK/FS

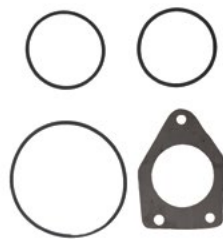


REPAIR KIT

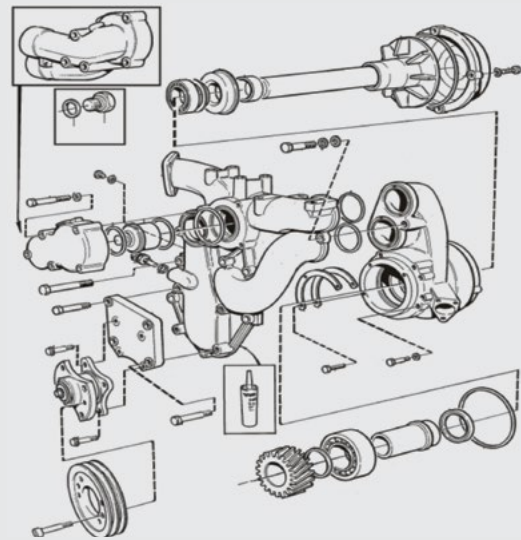


Fempar No	Cross References	Vehicle/Model	Engine
180-940-006-R	270791-1	F 10 F 12	TD 102 F TD 122 FK/FS

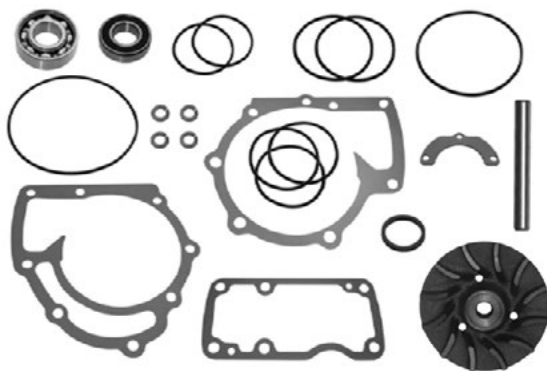
WATER PUMP



Fempar No	Cross References	Vehicle/Model	Engine
180-940-007	1699790	FL 10	TD 101/102/103
	1698620	F 10	TD 121/122/123
	1545261	CH 314 000→	TD 101/122/123
		F 12	TD 101 EXCEPT
		CH 34 001→	TD 121/122
		N 10	TD 122
	CH 306 000→		
	N 12		
	CH 12 001→		
	NL 10		
	NL 12		
	B 12		

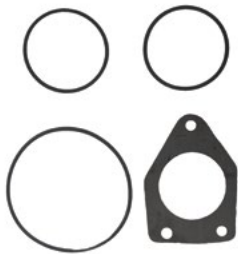


REPAIR KIT

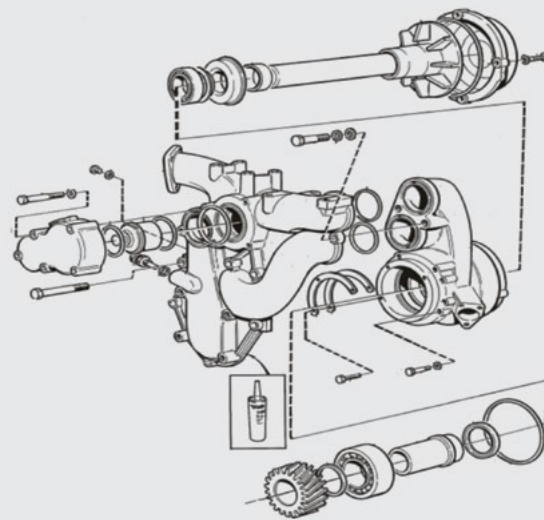


Fempar No	Cross References	Vehicle/Model	Engine
180-940-007-R	276802	FL 10	TD 101/102/103
	276623	F 10	TD 121/122/123
	275615	CH 314 000→	TD 101/122/123
		F 12	TD 101 EXCEPT
		CH 34 001→	TD 121/122
		N 10	TD 122
	CH 306 000→		
	N 12		
	CH 12 001→		
	NL 10		
	NL 12		
	B 12		

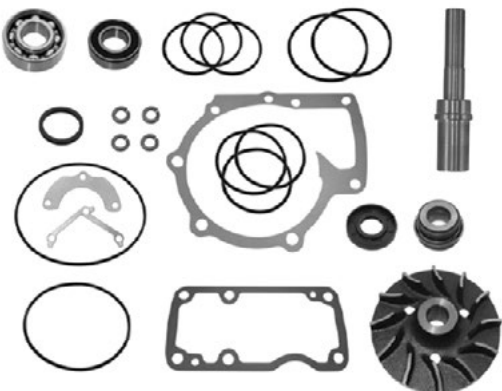
WATER PUMP



Fempar No	Cross References	Vehicle/Model	Engine
180-940-008	20431484	F 10	TD 102/103 E
	3184802	CH 314 000→	TD 103 ES
	8149937	FL 10	TD 103
	1675945	FS 10	TD 123 E/ES
		F 12	
		FL 12	
		NL 12	
	NL 12S		
	FM 10		
	FM 10BR		

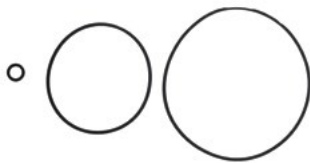


REPAIR KIT

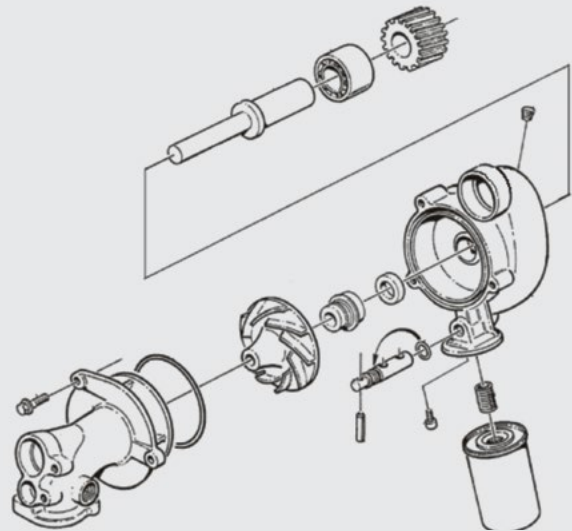


Fempar No	Cross References	Vehicle/Model	Engine
180-940-008-R	276936	F 10	TD 102/103 E
	276814	CH 314 000→	TD 103 ES
		FL 10	TD 103
		FS 10	TD 123 E/ES
		F 12	
		FL 12	
		NL 12	
		NL 12S	
		FM 10	
		FM 10BR	

WATER PUMP



Fempar No	Cross References	Vehicle/Model	Engine
180-940-009	8149941 8148460 8113117 1547155	FL10 FH12 FL12	D12A (Manual Gear Box)

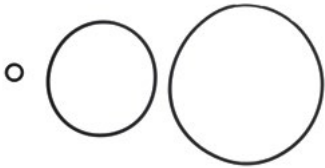


REPAIR KIT

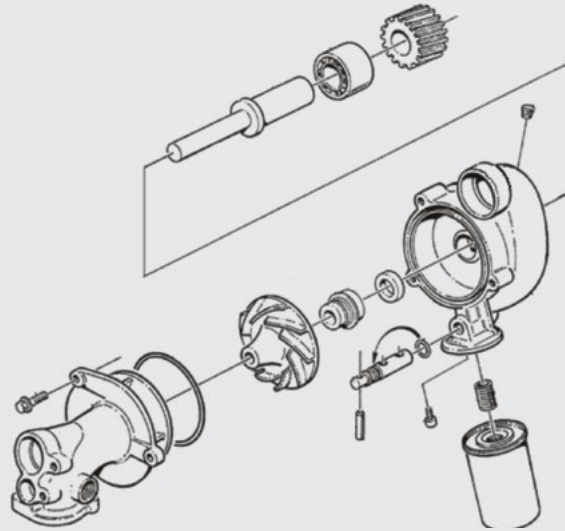


Fempar No	Cross References	Vehicle/Model	Engine
180-940-009-R	276121	FL10 FH12 FL12	D12A (Manual Gear Box)

WATER PUMP



Fempar No	Cross References	Vehicle/Model	Engine
180-940-010	8149882 1676713 (8113155) (8112889)	B 12 FH 12 FL 12	D 12 A D 12 B

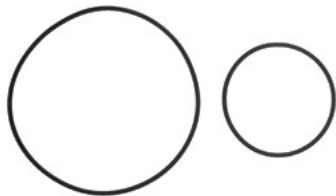


REPAIR KIT

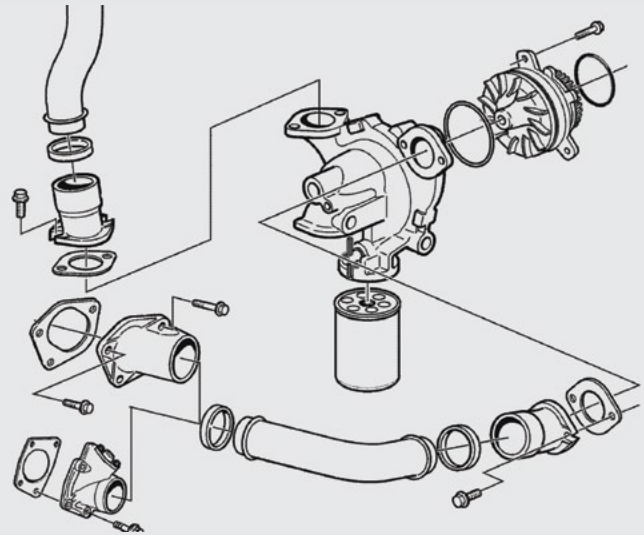


Fempar No	Cross References	Vehicle/Model	Engine
180-940-010-R	276852	B 12 FH 12 FL 12	D 12 A D 12 B

WATER PUMP



Fempar No	Cross References	Vehicle/Model	Engine
180-940-011	8170305 8170833	B 12 B 12 R FH FH 12 FH 12 BR FM FM 12 FM 12 BR VHD VN	D12C

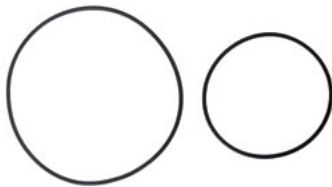


REPAIR KIT

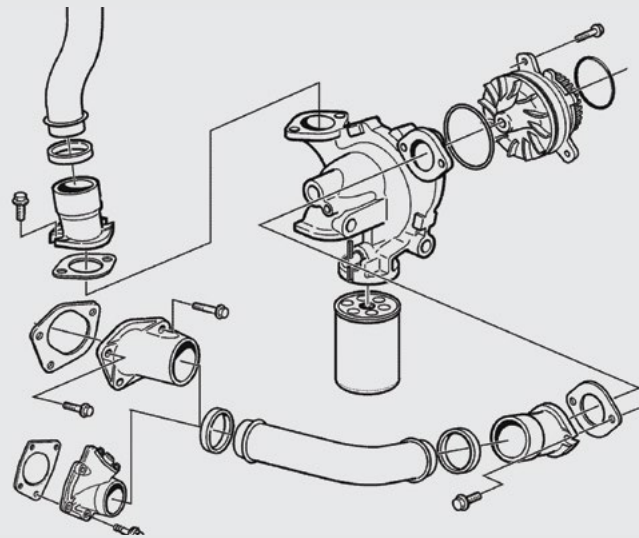


Fempar No	Cross References	Vehicle/Model	Engine
180-940-011-R		B 12 B 12 R FH FH 12 FH 12 BR FM FM 12 FM 12 BR VHD VN	D12C

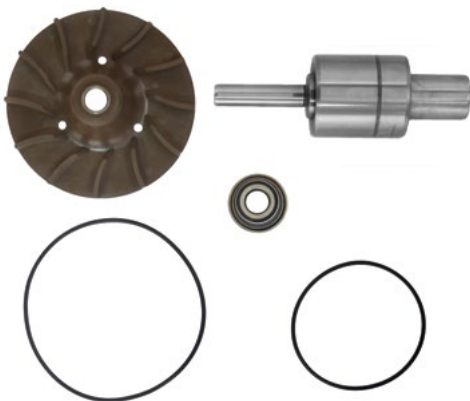
WATER PUMP



Fempar No	Cross References	Vehicle/Model	Engine
180-940-012	20431135 20713787 20734268	NH 12 NH 12 BR	D12C

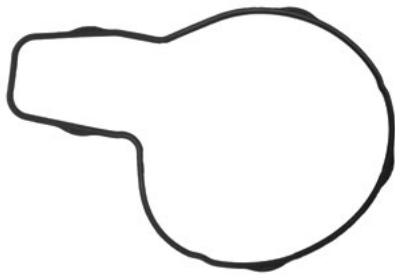


REPAIR KIT



Fempar No	Cross References	Vehicle/Model	Engine
180-940-012-R		NH 12 NH 12 BR	D12C

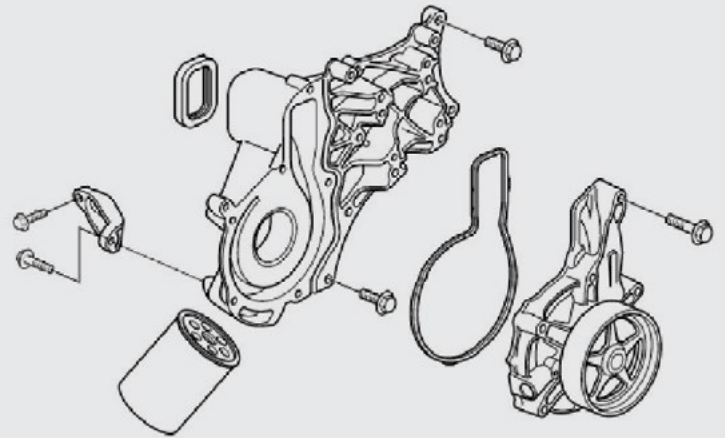
WATER PUMP



Fempar No	Cross References	Vehicle/Model	Engine
180-940-013	3161436	FM 9	D 9

*Pulley diameter Ø 140 mm

Volvo Penta:
 D9A 2A MG
 TAD 940 GE
 TAD 940 VE
 TAD 941 GE
 TAD 941 VE
 TAD 943 VE
 TAD 950 VE
 TAD 951 VE
 TAD 952 VE



REPAIR KIT

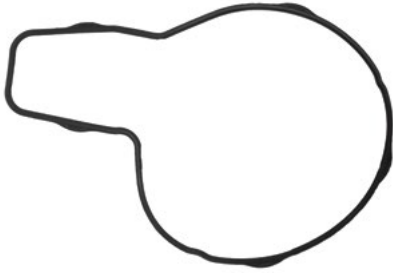


Fempar No	Cross References	Vehicle/Model	Engine
180-940-013-R		FM 9	B 9 L B 9 R B 9 S B 9 TL

Remarks

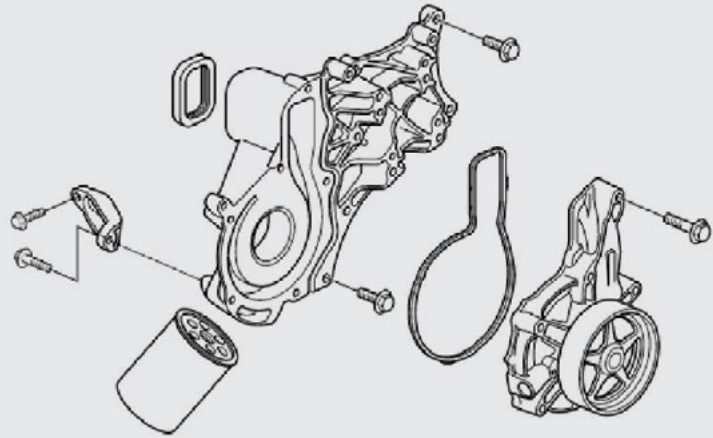
to fit water pumps:
 3161436
 20411880

WATER PUMP



Fempar No	Cross References	Vehicle/Model	Engine
180-940-017	20411880	B 9 L B 9 R B 9 S B9TL	D9A D9B

*Pulley diameter \varnothing 168 mm

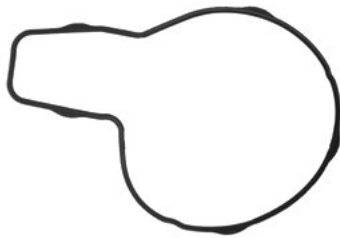


PULLEY

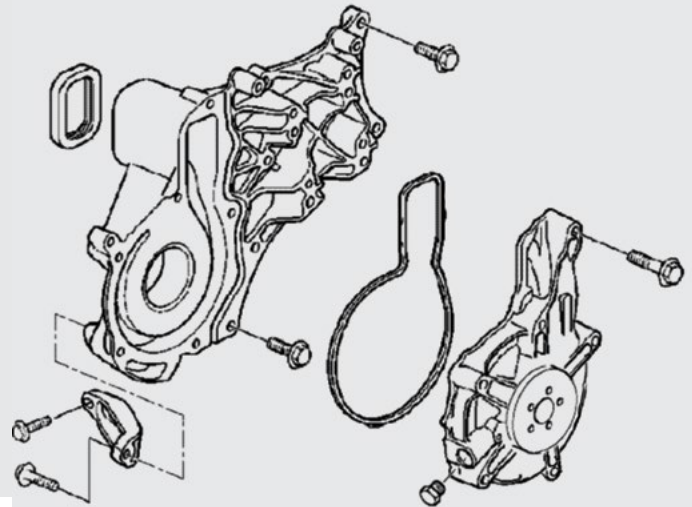


Fempar No	Cross References	Vehicle/Model	Remarks
180-940-017-P	3161498	FM 9	Diameter \varnothing 140 mm
180-940-017-P2	20411832	B 9 L B 9 R B 9 S B 9 TL	Diameter \varnothing 168 mm

WATER PUMP



Fempar No	Cross References	Vehicle/Model	Engine
180-940-016	20744939	B 9 L	D 9
	21468471	FH ENG - VE 16	D 13
	21228793	FH ENG - VE 13	D 16
	20538845	FH 16 RET - TH	Volvo Penta: D 16C-A MG D 16C-A MG RC D 16C-A MH TAD 1640 GE
		FH 16 URETARD	
FM ENG - VE 13			
VN ENG - VE 16			
VT ENG - VE 16			



PULLEY



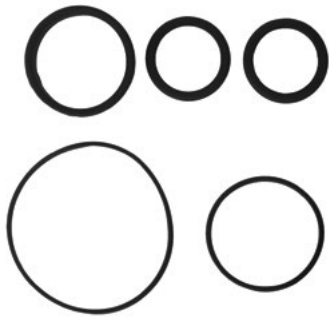
Fempar No	Cross References	Remarks
180-940-016-R	20707160	Diameter Ø148 mm

REPAIR KIT

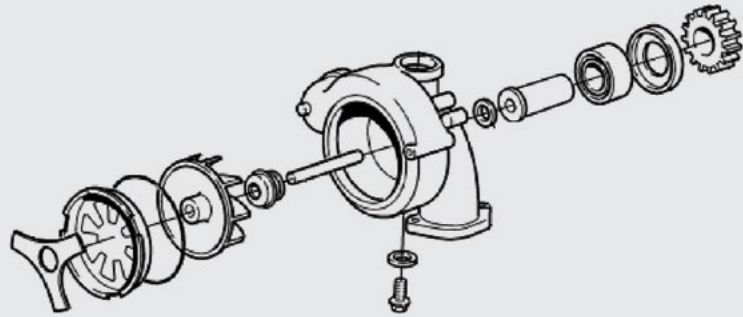


Fempar No	Cross Refereces	Vehicle/Model	Engine
180-940-016-R2		B 9 L	D 9
		FH ENG - VE 16	D 13
		FH ENG - VE 13	D 16
		FH 16 RET - TH	Volvo Penta: D 16C-A MG D 16C-A MG RC D 16C-A MH TAD 1640 GE TAD 1641 GE TAD 1641 VE TAD 1642 GE TAD 1642 VE TAD 1643 VE TAD 1650 VE TAD 1643 GE
		FH 16 URETARD	
		FM ENG - VE 13	
		VN ENG - VE 16	
		VT ENG - VE 16	

WATER PUMP



Fempar No	Cross References	Vehicle/Model	Engine
180-940-014	8192050	B 6	TD 61
	3183908	B 6 BLE	TD 63
	477770	FL 6FL	D 6
	477397	608FL	TD 71
	471500	616FL	TD 73
	465884	7 FM 7	D 7
	427159	FS 7	

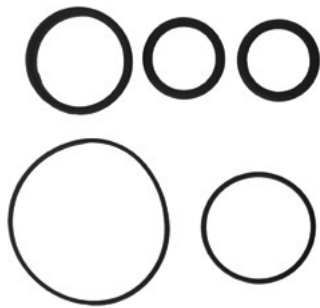


REPAIR KIT

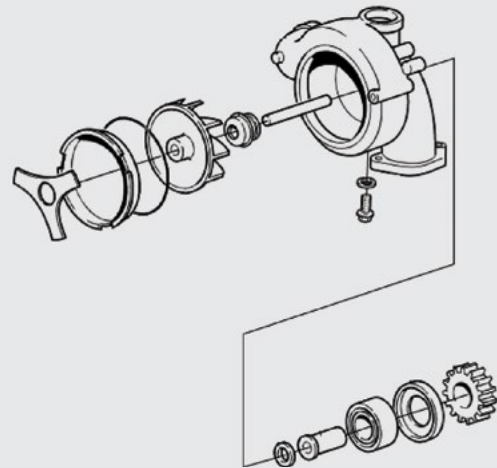


Fempar No	Cross References	Vehicle/Model	Engine	
180-940-014-R	276943	B 6	TD 61	
		B 6 BLE	TD 63	
	276804	FL 6	D 6	
		FL 608	TD 71	
			FL 616	TD 73
			FL 7	D 7
			FM 7	
			FS 7	

WATER PUMP



Fempar No	Cross References	Vehicle/Model	Engine
180-940-015	20575653 3183909 (8113522) (8112185) (85000387)	B7 L B7 LDD B7 R FL 7 FM 7	D7 A D7 B

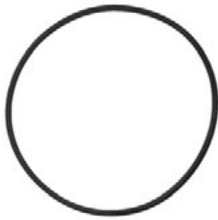


REPAIR KIT

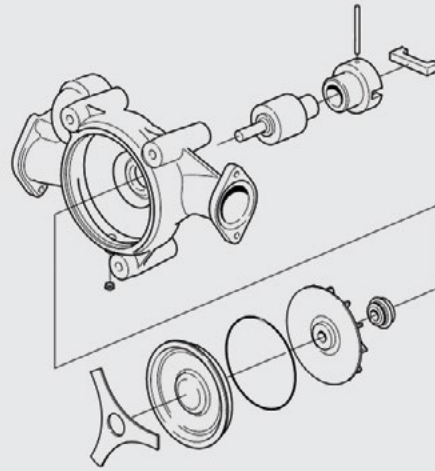


Fempar No	Cross References	Vehicle/Model	Engine
180-940-015-R	85107763 276942 276835 276803 276054 275624	B7 L B7 LDD B7 R FL 7 FM 7	D7 A D7 B

WATER PUMP



Fempar No	Cross References	Vehicle/Model	Engine
180-940-018	20879114 20755669 20592629 20568564 1549491	262; 13 B 12 M B 12 B	DH 12

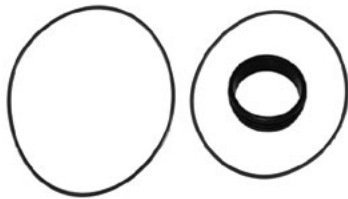


REPAIR KIT

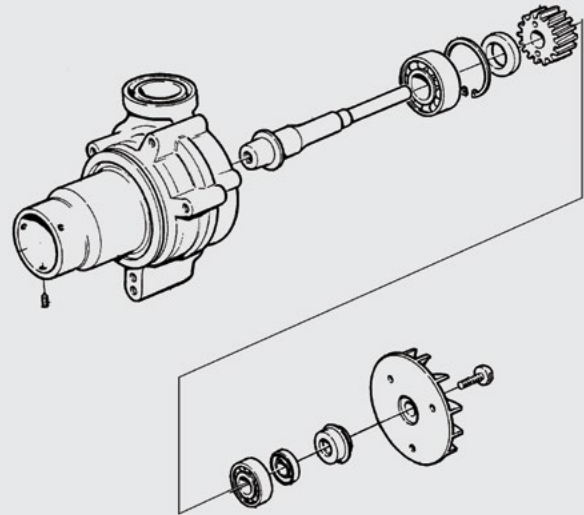


Fempar No	Cross References	Vehicle/Model	Engine
180-940-018-R	3096918	262; 13 B 12 M B 12 B	DH 12

WATER PUMP



Fempar No	Cross References	Vehicle/Model	Engine
180-940-019	8149980 1543380 (8113116)	F 16 FH 16 L 330 C L 330 C LL L 330 D L 330 E	D 16 A

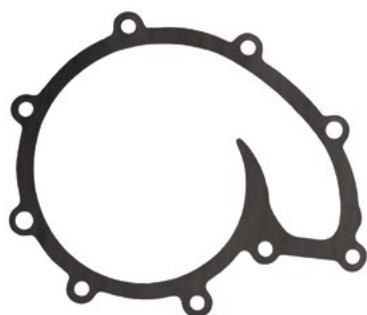


REPAIR KIT



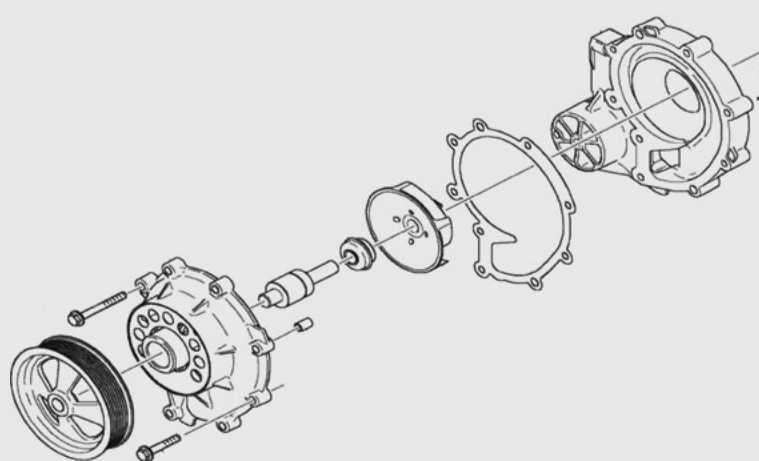
Fempar No	Cross References	Vehicle/Model	Engine
180-940-019-R	276637	F 16 FH 16 L 330 C L 330 C LL L 330 D L 330 E	D 16 A

WATER PUMP



Fempar No	Cross References	Vehicle/Model	Engine
180-930-001	1789522 1546188 (570964) (570959)	124R 144R P-, G-, R-, T 4 LKW, 4 Bus F-, K-, N Bus	D 9 PDE D 11 D 12 DC 9 19 / 20 / 21 D 11 / 12 DC 12 MOXY DC 12 57 A SG 9 A 280 DC 9 A EMS

*impeller: ø 112 mm
blade: 21 mm

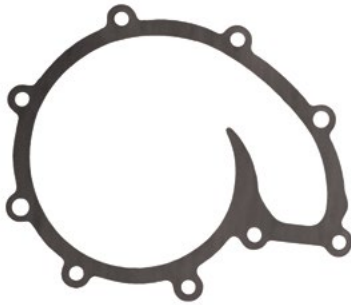


REPAIR KIT



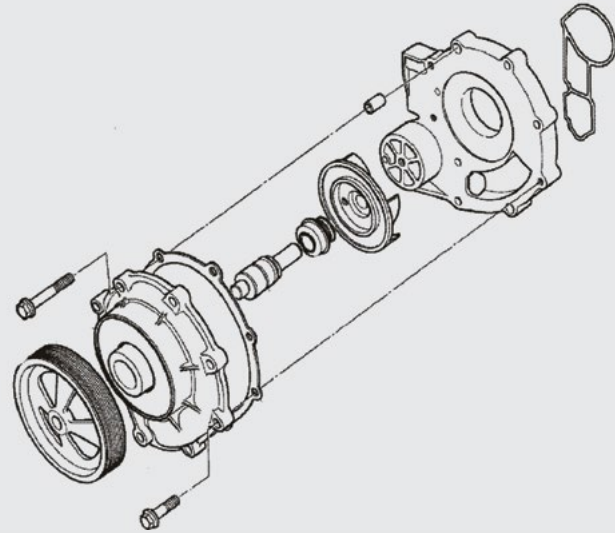
Fempar No	Cross References	Vehicle/Model	Engine
180-930-001-R	GENERAL OVERHAUL KIT	124R 144R P-, G-, R-, T 4 LKW, 4 Bus F-, K-, N Bus	D 9 PDE D 11 D 12 DC 9 19 / 20 / 21 D 11 / 12 DC 12 MOXY DC 12 57 A SG 9 A 280 DC 9 A EMS

WATER PUMP



Fempar No	Cross References	Vehicle/Model	Engine
180-930-002	1508533	114G	D 9 / 11 / 12
	1353072	124 C/G/L	DC 9 19 / 20 / 21
	(570955)	P-, G-, R-, T LKW	D 11 / 12
	(570951)	4 LKW, 4 BUS	DSC 11 74 / 75 / 79
		4 LKW	D 12 A
			D 12 M
			DC 12 MOXY
			DI 12 49 A

*impeller: ø 105 mm
blade: 17 mm

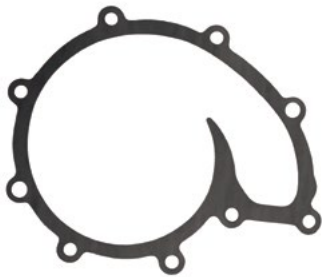


REPAIR KIT



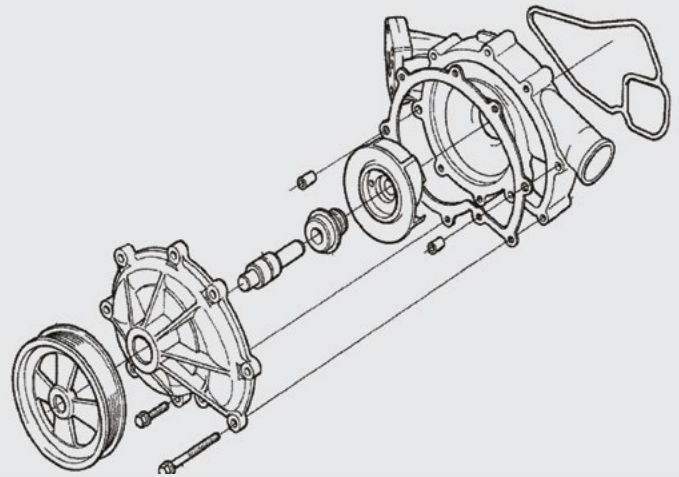
Fempar No	Cross References	Vehicle/Model	Engine
180-930-002-R	551355	114G	D 9 / 11 / 12
	552127	124 C/G/L	DC 9 19 / 20 / 21
	552107	P-, G-, R-, T LKW	D 11 / 12
		4 LKW, 4 BUS	DSC 11 74 / 75 / 79
		4 LKW	D 12 A
			D 12 M
			DC 12 MOXY
			DI 12 49 A

WATER PUMP

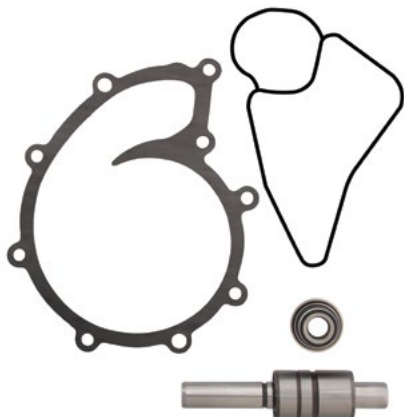


Fempar No	Cross References	Vehicle/Model	Engine
180-930-003	1508534 1365841 (570956) (570952)	144G 144L 4LKW	DSC 14 D14

*impeller: ø 105 mm
blade: 22,5 mm

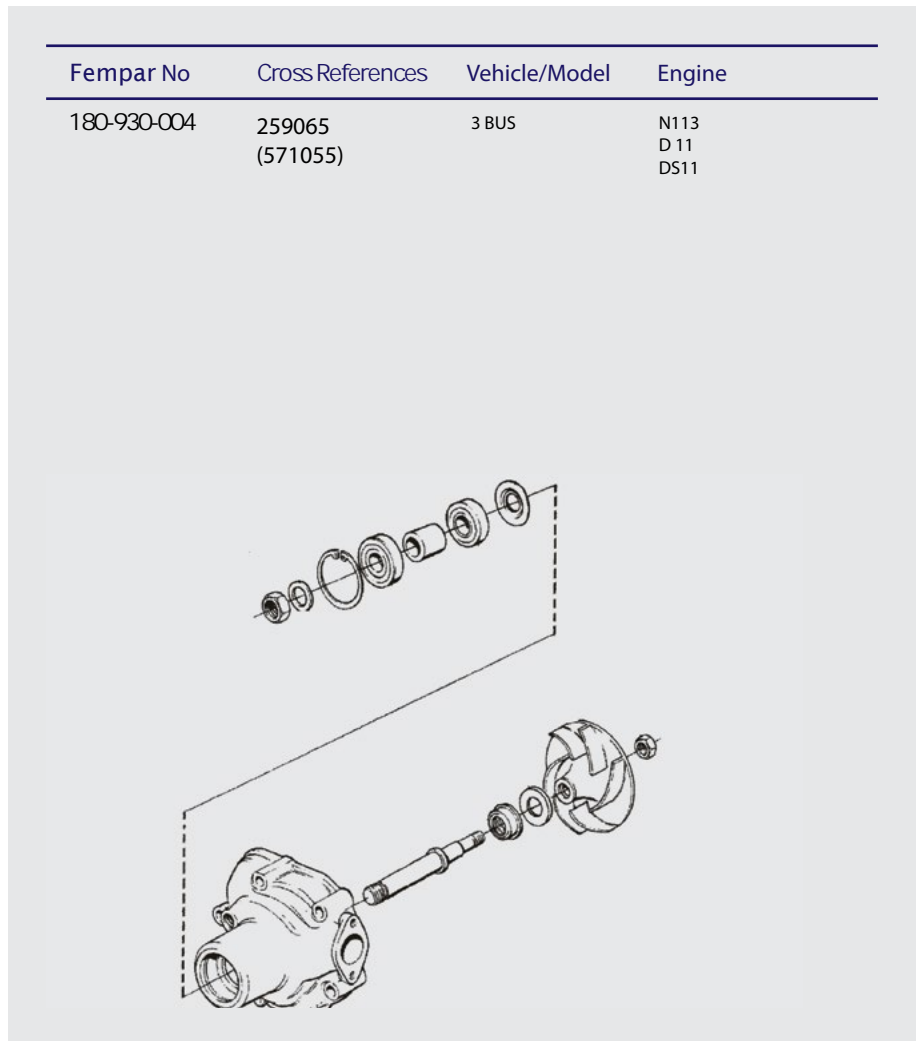
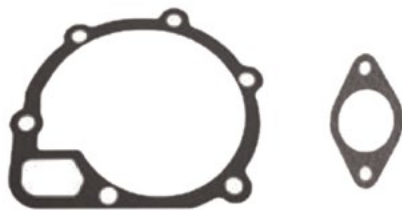
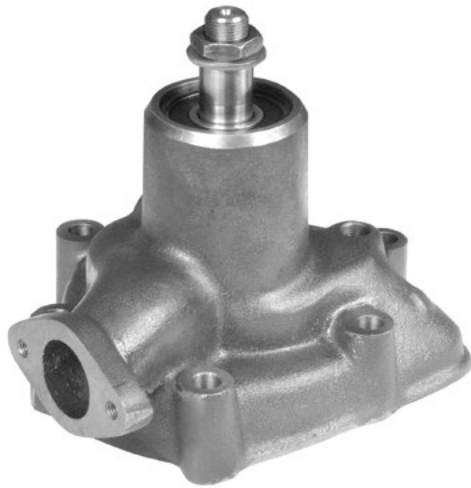


REPAIR KIT



Fempar No	Cross References	Vehicle/Model	Engine
180-930-003-R	551369 552129 552126	144G 144L 4LKW	DSC 14 D14

WATER PUMP



Fempar No	Cross References	Vehicle/Model	Engine
180-930-004	259065 (571055)	3 BUS	N113 D 11 DS11

REPAIR KIT

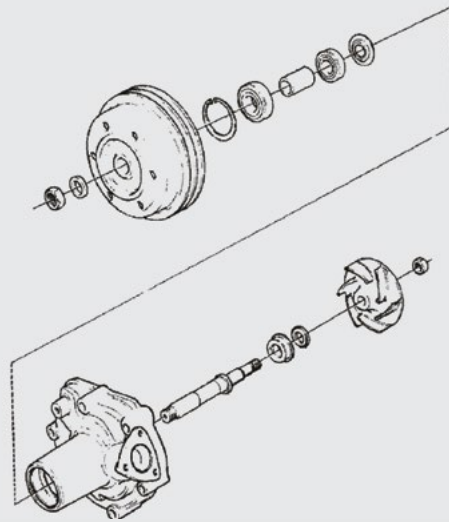


Fempar No	Cross References	Vehicle/Model	Engine
180-930-004-R	550044	3 BUS	N113 D 11 DS11
180-930-004-R2	550142	111 3 BUS	N113 D 11 DS11

WATER PUMP



Fempar No	Cross References	Vehicle/Model	Engine
180-930-005	1314406 292761 (575100) (571059)	3 BUS 3 TRUCK	CP / CR / CT 113 D 11 A D 11 M F 113 K 113 L 113



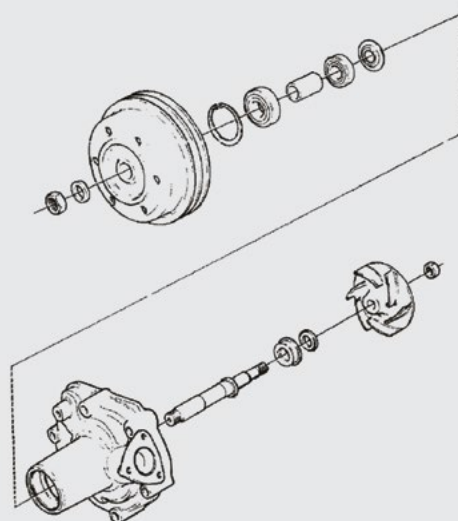
REPAIR KIT



Fempar No	Cross References	Vehicle/Model	Engine
180-930-005-R	550044	3 BUS 3 TRUCK	CP / CR / CT 113 D 11 A D 11 M F 113 K 113 L 113

180-930-005-R2	550167	3 BUS 3 TRUCK	CP / CR / CT 113 D 11 A D 11 M F 113 K 113 L 113
----------------	--------	------------------	---

WATER PUMP



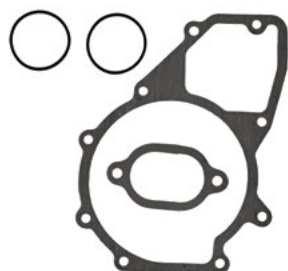
Fempar No	Cross References	Vehicle/Model	Engine
180-930-006	1354103 1571150	3 BUS 3 TRUCK	CP / CR / CT 113 GR / GRS 900 R CP 113 GA 850 ALLISON HD 4060 P K 113 GR 801 R ZFHP

REPAIR KIT



Fempar No	Cross References	Vehicle/Model	Engine
180-930-006-R	550168	3 BUS 3 TRUCK	CP / CR / CT 113 GR / GRS 900 R CP 113 GA 850 ALLISON HD 4060 P K 113 GR 801 R ZFHP
180-930-006-R2	550167	3 BUS 3 TRUCK	CP / CR / CT 113 GR / GRS 900 R CP 113 GA 850 ALLISON HD 4060 P K 113 GR 801 R ZFHP

WATER PUMP

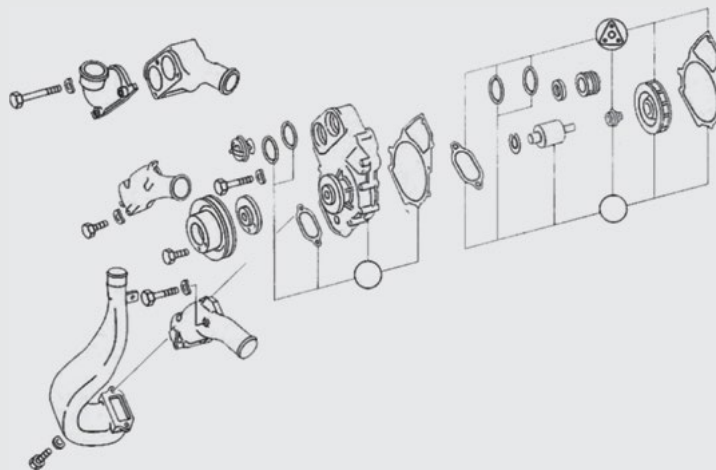


Fempar No	Cross References	Vehicle/Model	Engine
180-900-001	4032007101 4032005101 4032004401		OM 401 A OM 402/A OM 403 OM 404 A OM 407/A/AH/H/HA/LA OM 421/ A/LA OM 422/ A/LA OM 423/ A/LA...

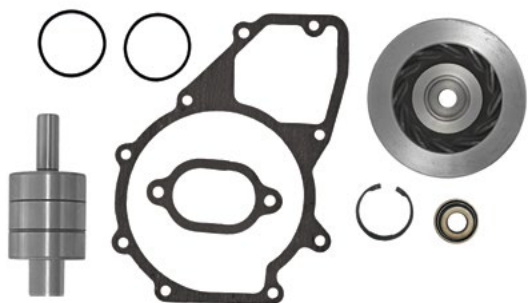
*impeller: ø 125 mm

180-900-001	4222001001 4222000501		OM 423/ A/LA OM 443 LA OM 444
-------------	--------------------------	--	-------------------------------------

*impeller: ø 135 mm



REPAIR KIT



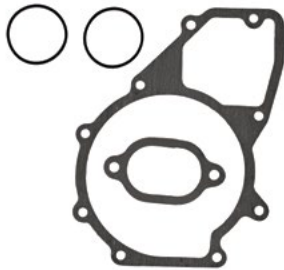
Fempar No	Cross References	Vehicle/Model	Engine
180-900-001-R	4222000604 4222000104 4222000304		OM 401 A OM 402/A OM 403 OM 404 A OM 407/A/AH/H/HA/LA OM 421/ A/LA OM 422/ A/LA OM 423/ A/LA OM 424/ A/LA OM 427/ A/H/HA/LA OM OM/ 441/ A/LA OM 442/ A/LA OM 443 OM 444 OM 447/A/H/HA/LA

*impeller: ø 125 mm

Remarks

to fit water pumps:
403 200 4401 403 200 7101
403 200 5101
403 200 7601
403 200 7701

WATER PUMP

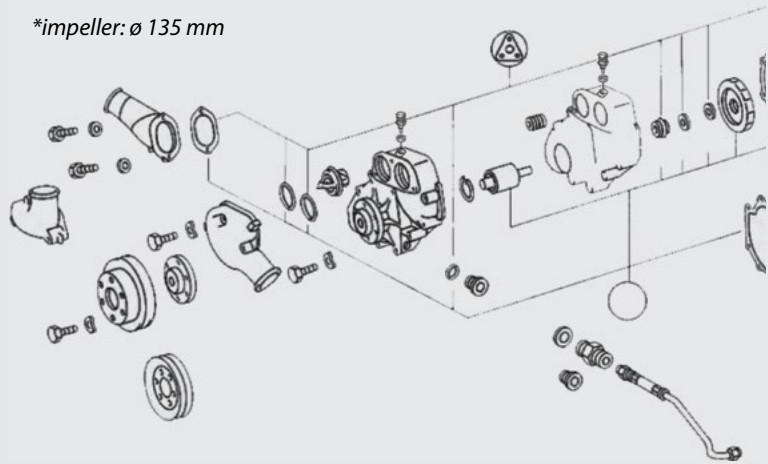


Fempar No	Cross References	Vehicle/Model	Engine
180-900-002	4032007701 4032007601		OM 401/A OM 402/A OM 403 OM407/A/AH/H/HA/LA OM 421/A/LA OM 422/A/LA OM 423/A/LA OM 424/A/LA OM 427/A/H/HA/LA OM 441/A/LA OM 422/A/LA...

*impeller: ø 125 mm

180-900-002	4222001401 4222001301		
-------------	--------------------------	--	--

*impeller: ø 135 mm



REPAIR KIT



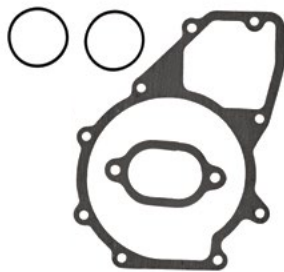
Fempar No	Cross References	Vehicle/Model	Engine
180-900-002-R	4222000504 4222000404 4222000204		OM 401/A OM 402/A OM 403 OM407/A/AH/H/HA/LA OM 421/A/LA OM 422/A/LA OM 423/A/LA OM 424/A/LA OM 427/A/H/HA/LA OM 441/A/LA OM 422/A/LA OM 443 OM 444 OM 447/A/H/HA/LA

*impeller: ø 135 mm

Remarks

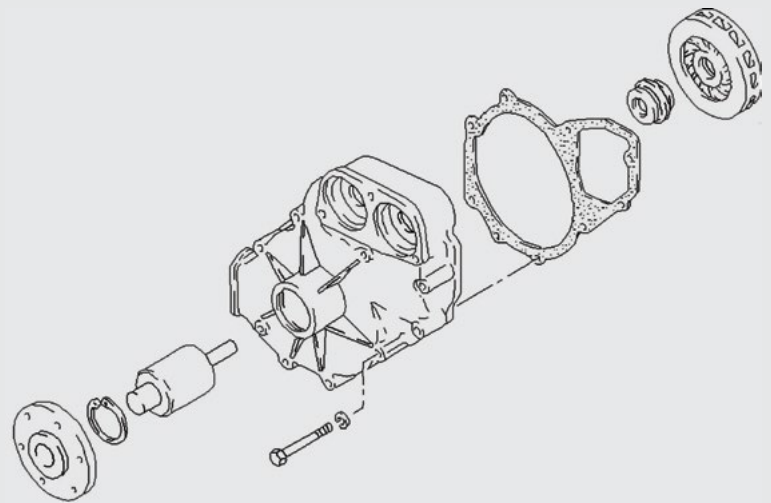
to fit water pumps:
422 200 1001
422 200 0501
422 200 1401
422 200 1301

WATER PUMP

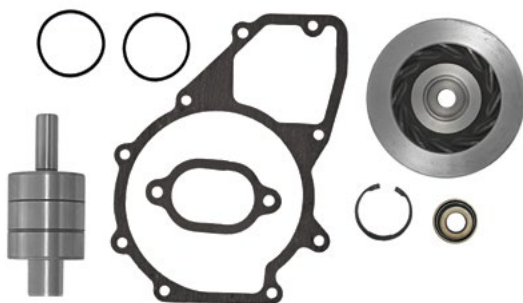


Fempar No	Cross References	Vehicle/Model	Engine
FM262231000	4412000201	441.900 – 919	OM 441
	4412000101	from engine: 504520	OM 441
		441.920 – 933	OM 442
		from engine: 504520	OM 442
		440.907, 909	OM 442
		442.900, 905 – 919	OM 442
		from engine: 504398	
		442.920 – 939	
		from engine: 504398	

*impeller: ø 125 widht: 8 mm



REPAIR KIT



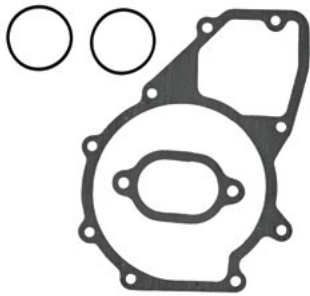
Fempar No	Cross References	Vehicle/Model	Engine
FM260021010	4412000204	441.900 – 919	OM 441
	4412000104	from engine: 504520	OM 441
		441.920 – 933	OM 442
		from engine: 504520	OM 442
		440.907, 909	OM 442
		442.900, 905 – 919	
		from engine: 504398	
		442.920 – 939	
		from engine: 504398	

*impeller: ø 125 widht: 8 mm

Remarks

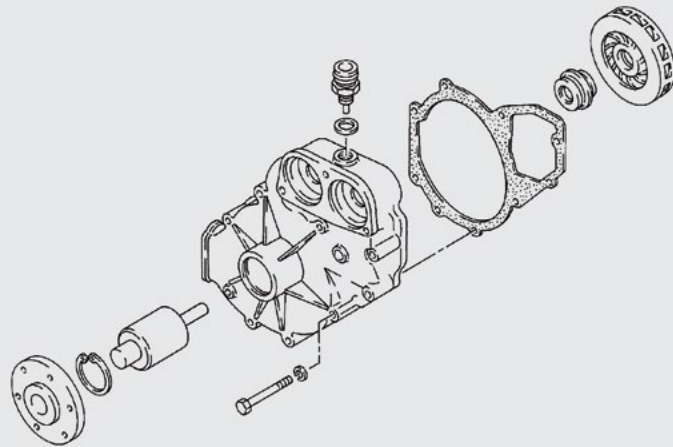
to fit water pumps:
 441 200 0301
 441 200 0201
 441 200 0101

WATER PUMP

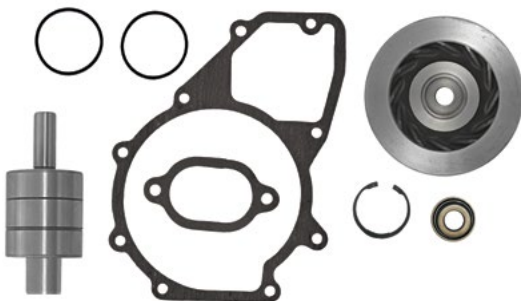


Fempar No	Cross References	Vehicle/Model	Engine
FM262241000	4412000301	441.900 – 919 from engine: 504520 442.900, 905 – 919 from engine: 504398	OM 440 OM 441 OM 442

*impeller: ø 125 widht: 8 mm



REPAIR KIT



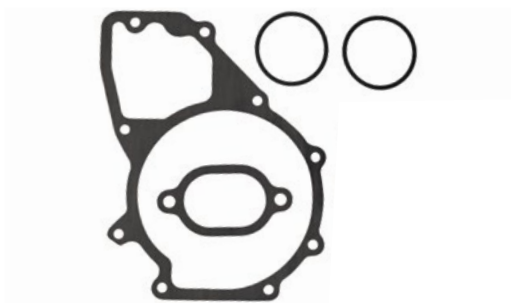
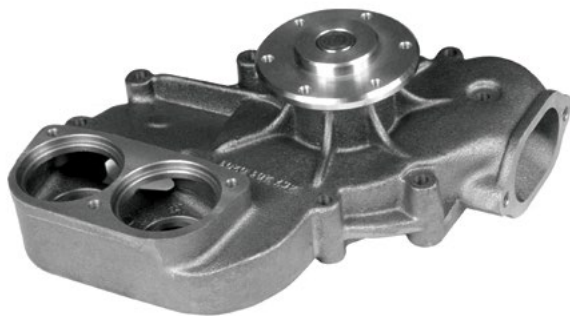
Fempar No	Cross References	Vehicle/Model	Engine
FM260021010	4412000204 4412000104	441.900 – 919 from engine: 504520 441.920 – 933 from engine: 504520 440.907, 909 442.900, 905 – 919 from engine: 504398 442.920 – 939 from engine: 504398	OM 441 OM 441 OM 442 OM 442 OM 442

*impeller: ø 125 widht: 8 mm

Remarks

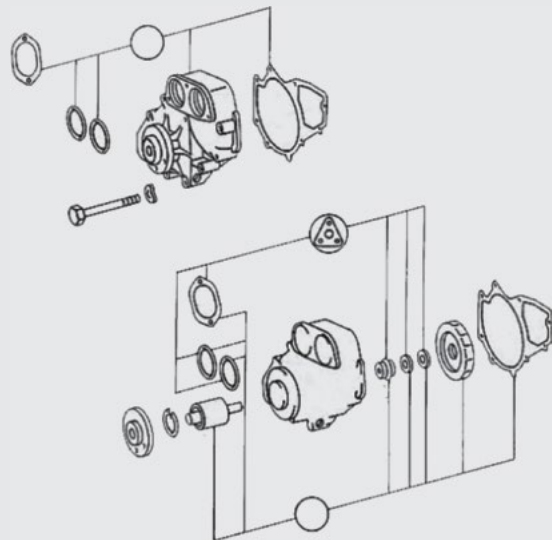
to fit water pumps:
441 200 0301
441 200 0201
441 200 0101

WATER PUMP

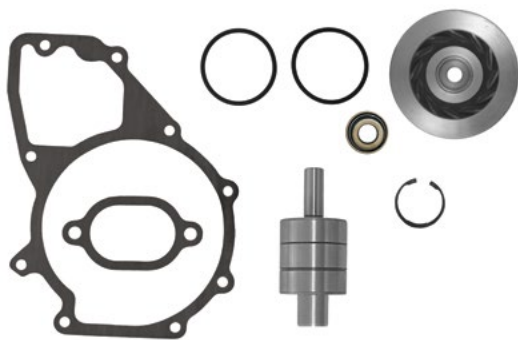


Fempar No	Cross References	Vehicle/Model	Engine
180-900-003	4572000801	AXOR	OM 457 OM 458

*impeller: ø 125 widht: 8 mm



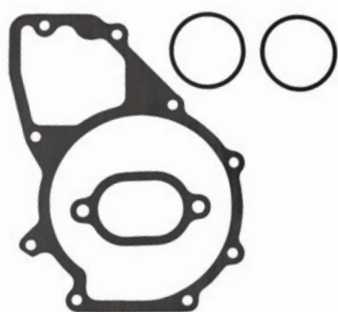
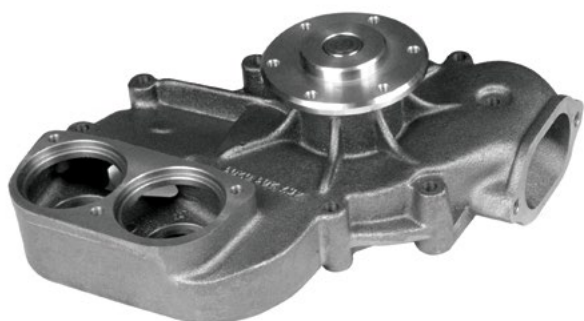
REPAIR KIT



Fempar No	Cross References	Vehicle/Model	Engine
180-900-003-R	4572000104	AXOR	OM 457 OM 458

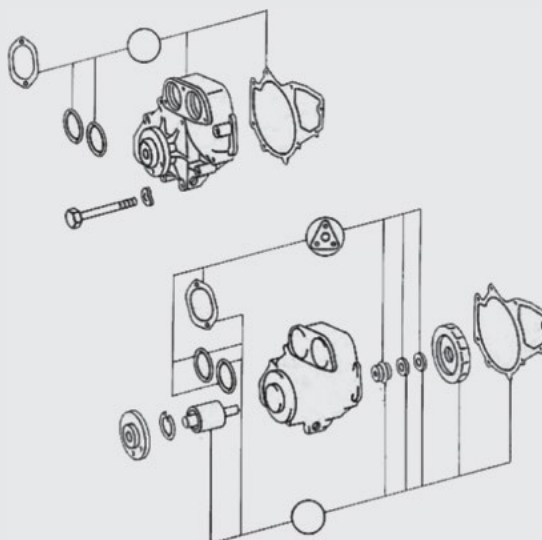
*impeller: ø 125 widht: 8 mm

WATER PUMP

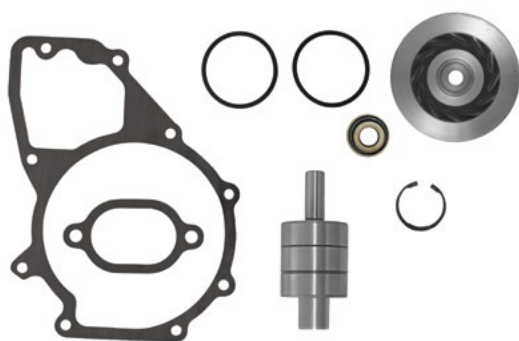


Fempar No	Cross References	Vehicle/Model	Engine
180-900-004	4572000101 4752000201 4752000101	AXOR 265kW 457.925 320kW 457.922	OM 457 LA OM 458 LA

*impeller: ø 125 widht: 12 mm



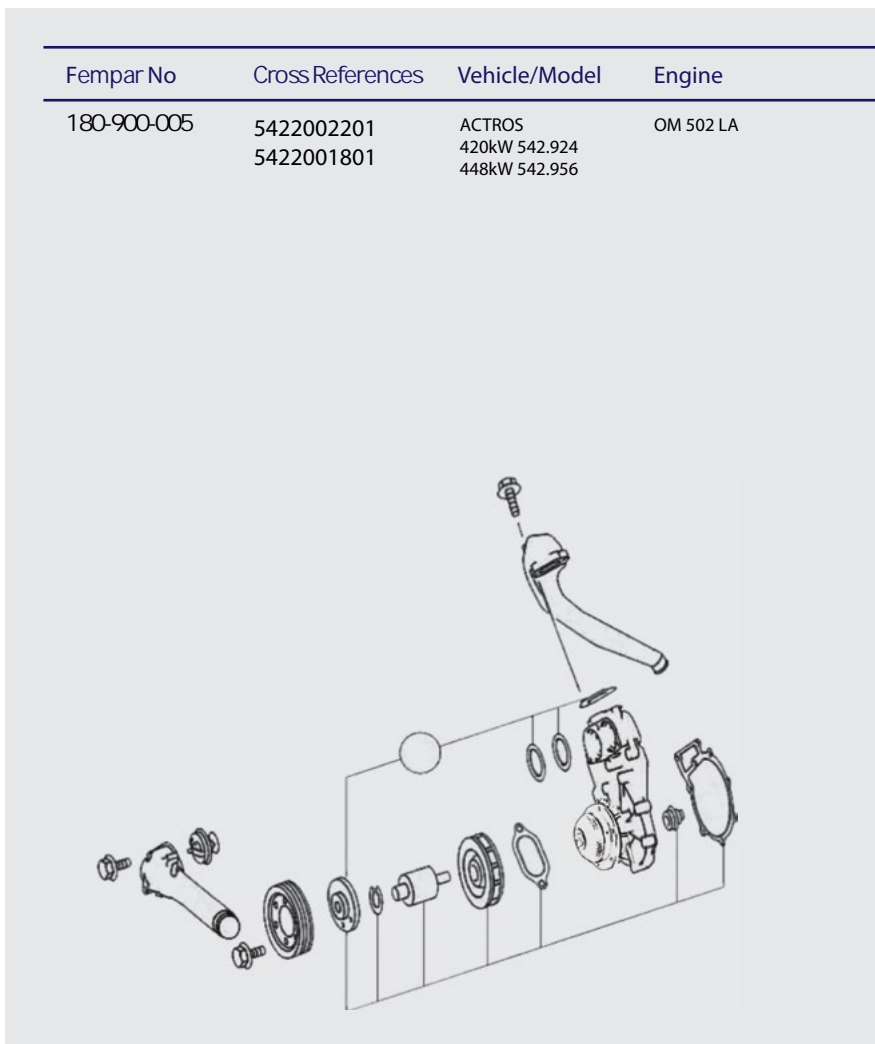
REPAIR KIT



Fempar No	Cross References	Vehicle/Model	Engine
180-900-004-R	4222000604	AXOR 265kW 457.925 320kW 457.922	OM 457 LA OM 458 LA

*impeller: ø 125 widht:12 mm

WATER PUMP



Fempar No	Cross References	Vehicle/Model	Engine
180-900-005	5422002201 5422001801	ACTROS 420kW 542.924 448kW 542.956	OM 502 LA

REPAIR KIT

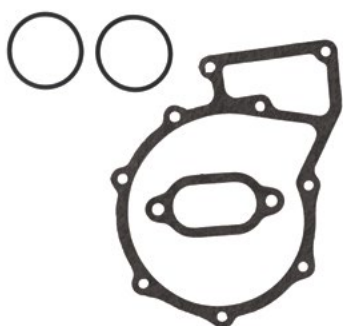


Fempar No	Cross References	Vehicle/Model	Engine
180-900-005-R		ACTROS 420kW 542.924 448kW 542.956	OM 502 LA

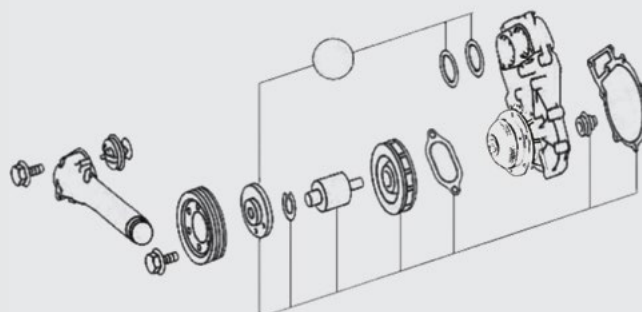
Remarks

to fit water pumps:
5422002201
5422001801
5422002601

WATER PUMP



Fempar No	Cross References	Vehicle/Model	Engine
180-900-015	5422002101	ACTROS	OM 501 LA OM 502 LA
		541.920, 926	
		541.940, 941	
		541.951	
		541.922, 927	
		941.920	
		541.942, 943	
		541.923, 924	
		941.981	
		541.944, 945	
		541.921, 925	
		941.990	
		541.946, 947	
		541.948	

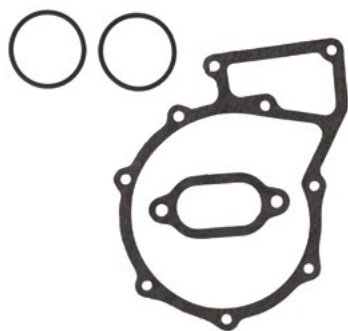


REPAIR KIT

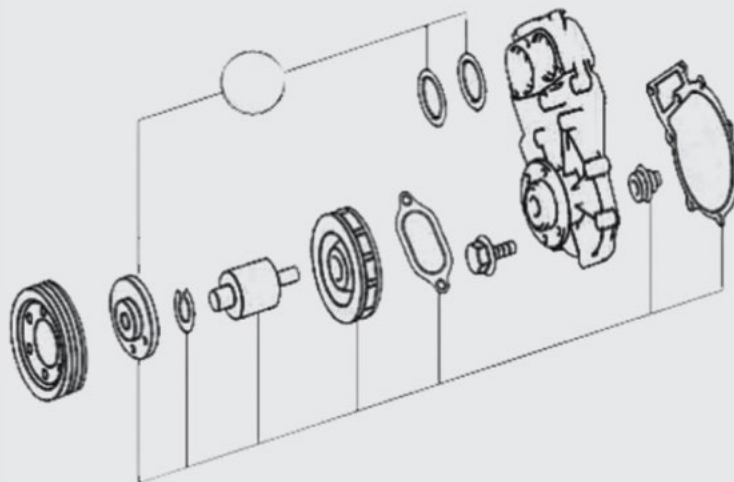


Fempar No	Cross References	Vehicle/Model	Engine
180-900-015-R		ACTROS	OM 502 LA
		420kW 542.924	
		448kW 542.956	

WATER PUMP



Fempar No	Cross References	Vehicle/Model	Engine
180-900-006	5412001201	ACTROS	OM 501 LA
	5412001101	315kW 521.940	
	5412000101	230kW 541.920	
		315kW 541.921	
		260kW 541.922	
		290kW 541.923	
		315kW 541.925	
		355kW 541.948	
		230kW 941.910	
		290kW 941.929	
		300kW 941.930	
		230kW 941.960	
		290kW 941.980	
		315kW 941.990	



REPAIR KIT



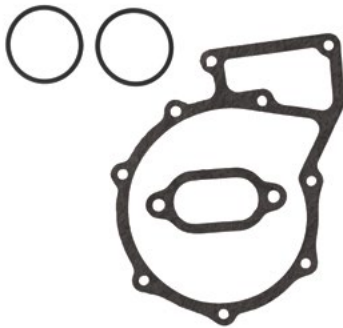
Fempar No	Cross References	Vehicle/Model	Engine
180-900-006-R	5412000004	ACTROS	OM 501 LA
		315kW 521.940	
		230kW 541.920	
		315kW 541.921	
		260kW 541.922	
		290kW 541.923	
		315kW 541.925	
		355kW 541.948	
		230kW 941.910	
		290kW 941.929	
		300kW 941.930	
		230kW 941.960	
		290kW 941.980	
		315kW 941.990	

*impeller: ø 125 width: 8 mm

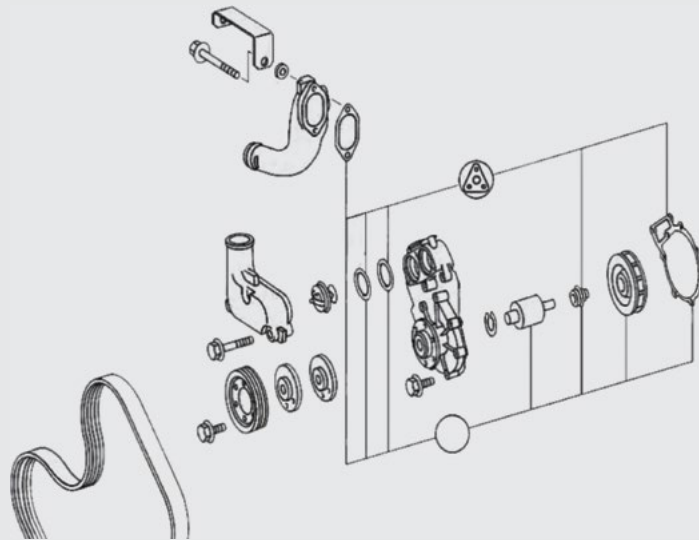
Remarks

to fit water pumps:
 5412001201 5412001401
 5412001101
 5412000101

WATER PUMP



Fempar No	Cross References	Vehicle/Model	Engine
180-900-007	5422001901	ACTROS	OM 501 LA
	5422001501	315kW 521.940	OM 502 LA
	5422000501	230kW 541.920	
		315kW 541.921	
		260kW 541.922	
		290kW 541.923	
		315kW 541.925	
		355kW 541.948	
		230kW 941.910	
		290kW 941.929	
		300kW 941.930	
		230kW 941.960	
		290kW 941.980	
		315kW 941.990	



REPAIR KIT



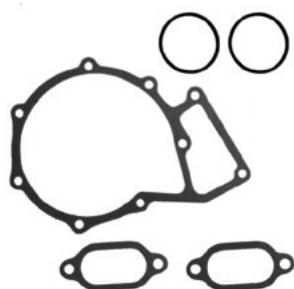
Fempar No	Cross References	Vehicle/Model	Engine
180-900-007-R	5422000104	ACTROS	OM 501 LA
	5422000004	315kW 521.940	OM 502 LA
		230kW 541.920	
		315kW 541.921	
		260kW 541.922	
		290kW 541.923	
		315kW 541.925	
		355kW 541.948	
		230kW 941.910	
		290kW 941.929	
		300kW 941.930	
		230kW 941.960	
		290kW 941.980	
		315kW 941.990	

*impeller: ø 125 width: 12 mm

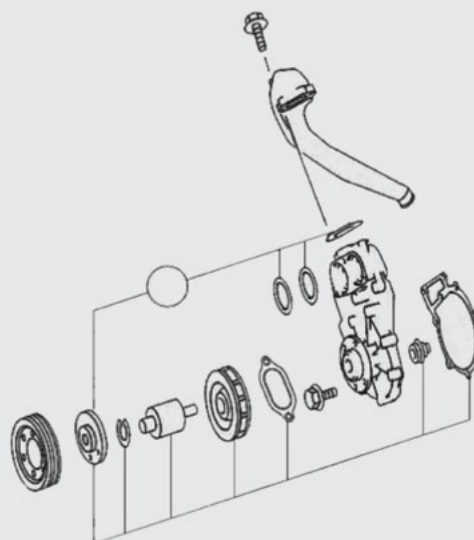
Remarks

to fit water pumps:
 542 200 1901 542 200 2001
 542 200 1501 542 200 1601
 542 200 0501 542 200 0601

WATER PUMP



Fempar No	Cross References	Vehicle/Model	Engine
180-900-008	5422002001 5422001601 5422000601	ACTROS With Retarder	OM 501 LA OM 502 A



REPAIR KIT



Fempar No	Cross References	Vehicle/Model	Engine
180-900-008-R	5422000104 5422000004	ACTROS 315kW 521.940 230kW 541.920 315kW 541.921 260kW 541.922 290kW 541.923 315kW 541.925 355kW 541.948 230kW 941.910 290kW 941.929 300kW 941.930 230kW 941.960 290kW 941.980 315kW 941.990	OM 501 LA OM 502 LA

*impeller: ø 125 widht: 12 mm

Remarks

to fit water pumps:

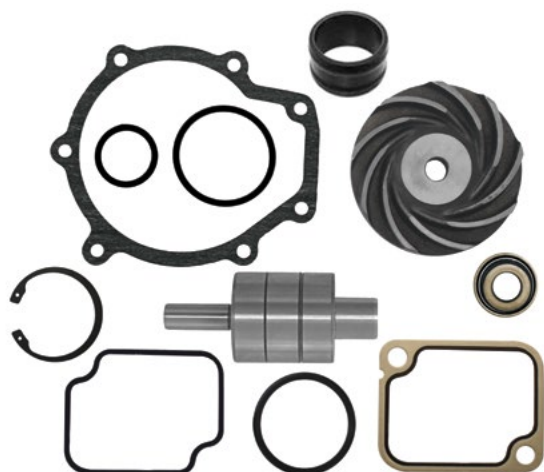
- 542 200 1901 542 200 2001
- 542 200 1501 542 200 1601
- 542 200 0501 542 200 0601
- 542 200 2401

WATER PUMP



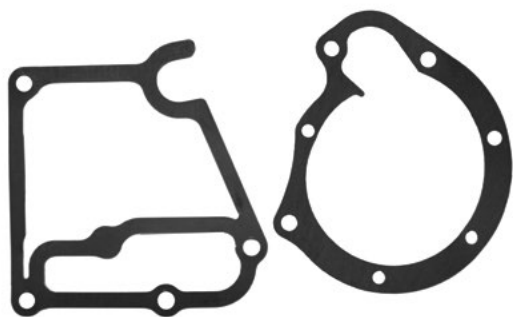
Fempar No	Cross References	Vehicle/Model	Engine
180-900-009	9042004901 9042002601 9042000801 9042000401 9042002001	ATEGO	OM 904 LA OM 906 LA/HLA/LAG OM 924 LA

REPAIR KIT



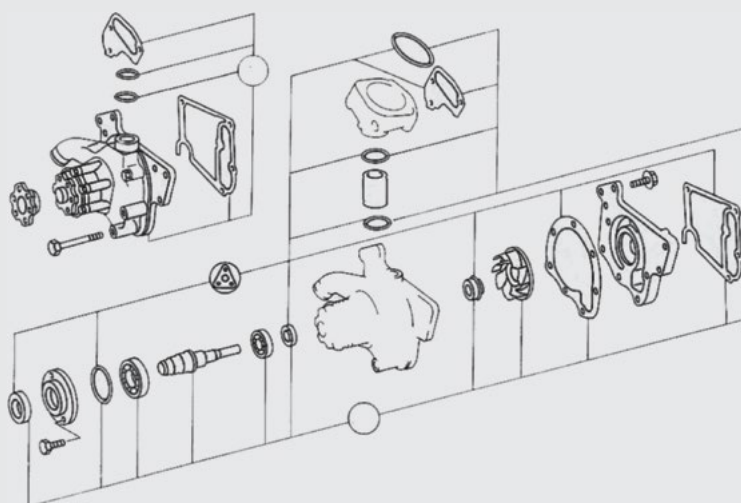
Fempar No	Cross References	Vehicle/Model	Engine
180-900-009-R	9042000004 9062000004	ATEGO	OM 904 LA OM 906 LA/HLA/LAG OM 924 LA

WATER PUMP

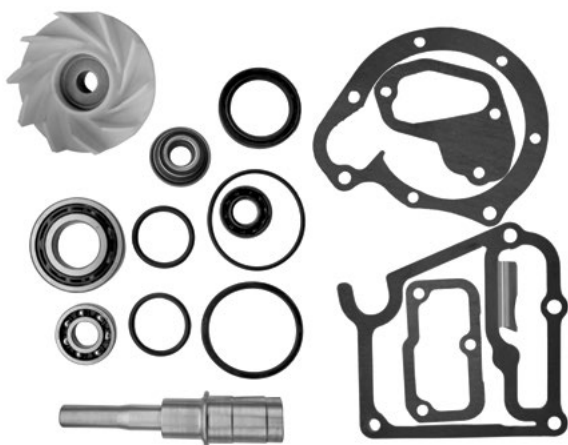


Fempar No	Cross References	Vehicle/Model	Engine
180-900-010	3662005901	366.901	OM 366
	3662000901	366.941	OM 366A
	3662000401	366.970	OM 366LA
		357.930	OM 366LA EURO II

**without cover*
**with metal impeller*

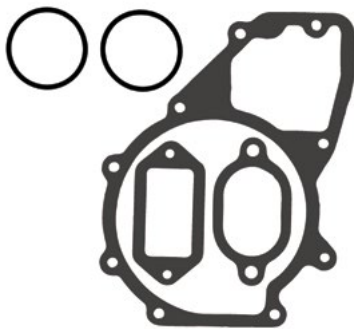


REPAIR KIT

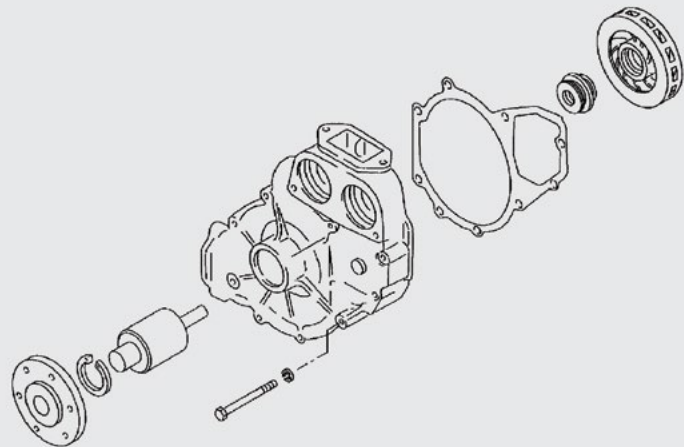


Fempar No	Cross References	Vehicle/Model	Engine
180-900-010-R	3662000804	366.901	OM 366
	3662000604	366.941	OM 366A
	3662000304	366.970	OM 366LA
	3662000004	357.930	OM 366LA EURO II

WATER PUMP



Fempar No	Cross REferences	Vehicle/Model	Engine
180-900-013	4572000501 4572000201	AXOR Back Side Hole 20 mm	OM 457 OM 458
180-900-014	4572001001	Back Side Hole Closed	



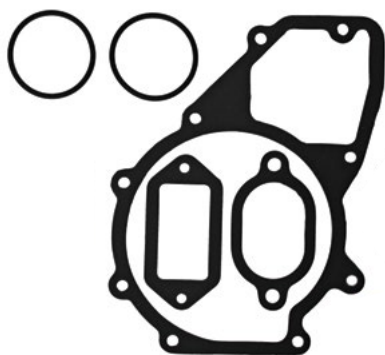
REPAIR KIT



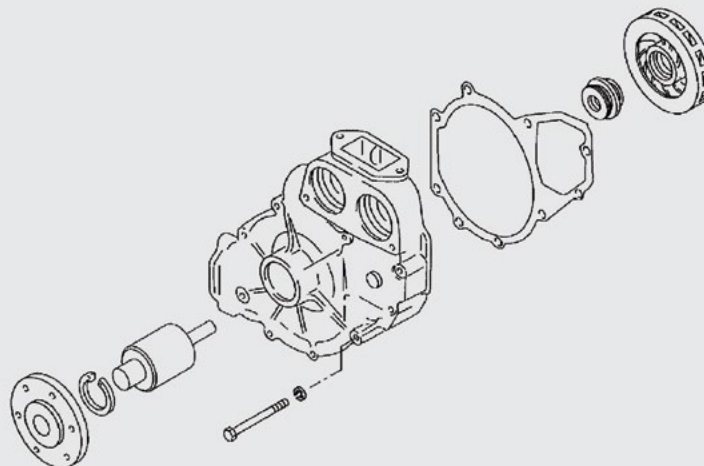
Fempar No	Cross References	Vehicle/Model	Engine
180-900-012-R	4572000104-1	AXOR	OM 457 OM 458

*impeller: ø 125 widht: 8 mm

WATER PUMP



Fempar No	Cross References	Vehicle/Model	Engine
180-900-011	4032007301 4032005301	O 303 O 330 O 305 G O 405	OM 402 LA EURO I OM 407/H/A/LA/HA OM 427 A/LA/HA OM 427/H OM 441A/LA OM 447 HLA EURO II OM 447 A/LA/HA
<i>*impeller: ø 125</i>			
180-900-012	4222001101 4222000601		OM 401 / A OM 402 / A OM 403 OM 407 / A / AH / H / HA / LA OM 421 / A / LA OM 422 / A / LA OM 423 / A / LA OM 424 / A / LA OM 427 / A / H / HA / LA...
<i>*impeller: ø 135</i>			

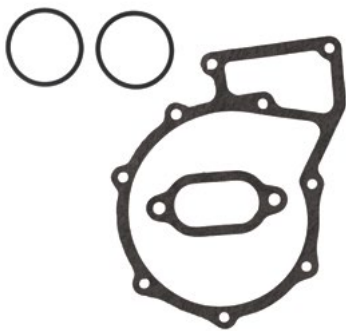
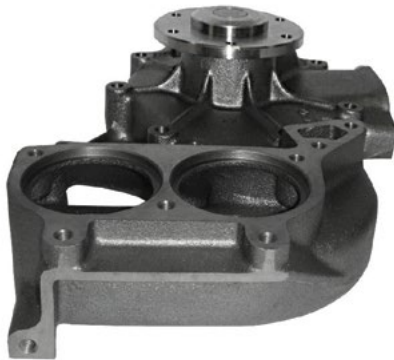


REPAIR KIT



Fempar No	Cross References	Vehicle/Model	Engine
180-900-011-R	4222000404-1 4222000204-1		OM 401 / A OM 402 / A OM 403 OM 407 / A / AH / H / HA / LA OM 421 / A / LA OM 422 / A / LA OM 423 / A / LA OM 424 / A / LA OM 427 / A / H / HA / LA OM 441 / A / LA OM 442 / A / LA OM 443 OM 444 OM 447 / A / H / HA / LA
<i>*impeller: ø 135</i>			

WATER PUMP



Fempar No	Cross References	Vehicle/Model	Engine
180-900-016	5412001401	ACTROS 315kW 521.940 230kW 541.920 315kW 541.921 260kW 541.922 290kW 541.923 315kW 541.925 355kW 541.948 230kW 941.910 290kW 941.929 300kW 941.930 230kW 941.960 290kW 941.980 315kW 941.990	OM 501 LA 1831 - 3331 1843 - 3343

REPAIR KIT



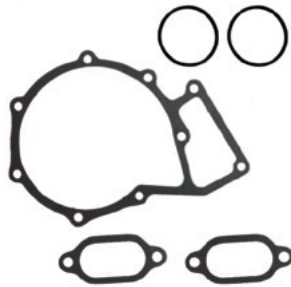
Fempar No	Cross References	Vehicle/Model	Engine
180-900-016-R	5412000004	ACTROS 315kW 521.940 230kW 541.920 315kW 541.921 260kW 541.922 290kW 541.923 315kW 541.925 355kW 541.948 230kW 941.910 290kW 941.929 300kW 941.930 230kW 941.960 290kW 941.980 315kW 941.990	OM 501 LA

**impeller: ø 125 width: 8 mm*

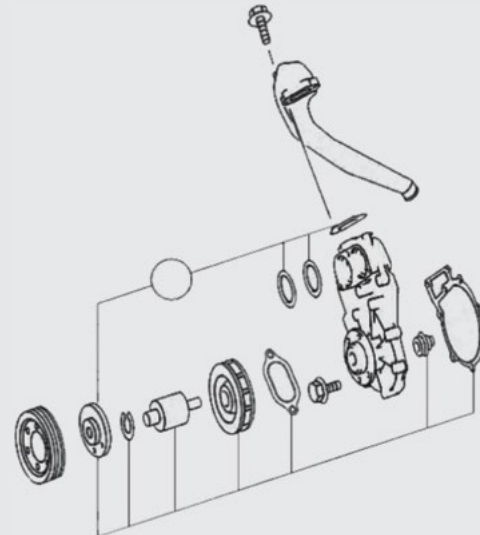
Remarks

to fit water pumps:
5412001201 5412001401
5412001101
5412000101

WATER PUMP



Fempar No	Cross References	Vehicle/Model	Engine
180-900-017	5422002401	ACTROS With Retarder 230 kW 541.920 315 kW 541.921 260 kW 541.922 290 kW 541.923, 924 315 kW 541.925 230 kW 541.926 260 kW 541.927 230 kW 541.940, 941 260 kW 541.942, 943 290 kW 541.944, 945 315 kW 541.946, 947 355 kW 541.948 ...	OM 501 LA OM 502 A



REPAIR KIT



Fempar No	Cross References	Vehicle/Model	Engine
180-900-017-R	5422000104 5422000004	ACTROS 315kW 521.940 230kW 541.920 315kW 541.921 260kW 541.922 290kW 541.923 315kW 541.925 355kW 541.948 230kW 941.910 290kW 941.929 300kW 941.930 230kW 941.960 290kW 941.980 315kW 941.990	OM 501 LA OM 502 LA

*impeller: ø 125 widht: 12 mm

Remarks

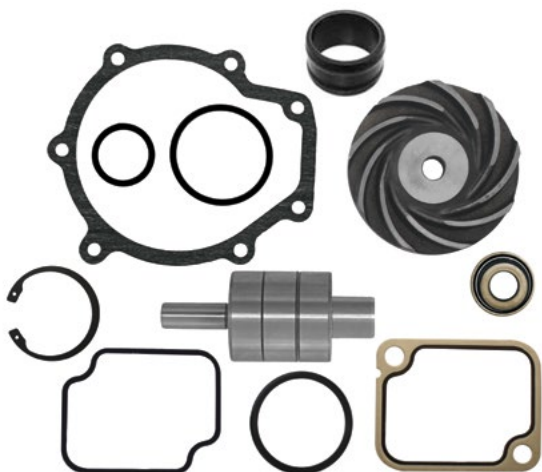
to fit water pumps:
542 200 1901 542 200 2001
542 200 1501 542 200 1601
542 200 0501 542 200 0601
542 200 2401

WATER PUMP



Fempar No	Cross References	Vehicle/Model	Engine
180-900-01	9062006101 9062006501 9062005701 9062005401 9062004801 9062004201 9062003801 9062003201 9062002901 9062002401 9062002201 9062001801		OM 904 LA OM 906 LA / HLA OM 924 LA OM 926 LA M 906 LAG

REPAIR KIT



Fempar No	Cross References	Vehicle/Model	Engine
180-900-018-R			OM 904 LA OM 906 LA / HLA OM 924 LA OM 926 LA M 906 LAG

Remarks

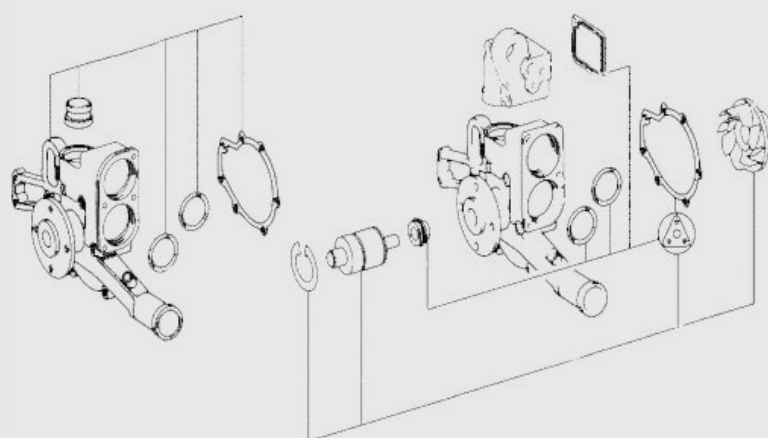
to fit water pumps:

906 200 6101	906 200 4801	906 200 2901	906 200 1401	906 200 5201
906 200 6501	906 200 4201	906 200 2401	906 200 1301	906 200 2701
906 200 5701	906 200 3801	906 200 2201	906 200 0901	906 200 2601
906 200 5401	906 200 3201	906 200 1801	906 200 6001	

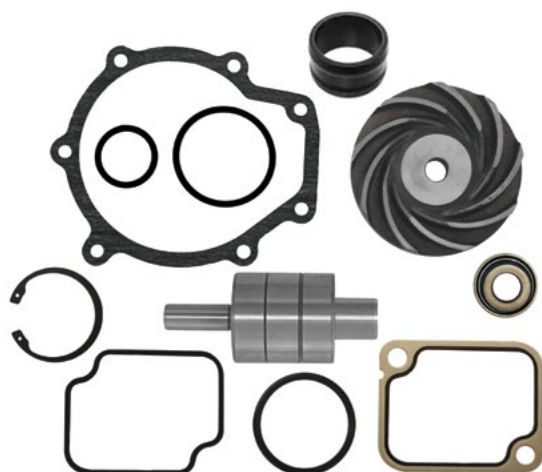
WATER PUMP



Fempar No	Cross References	Vehicle/Model	Engine
180-900-019	9062006001 9062005201 9062002701 9062002601		OM 904 LA OM 906 LA / HLA OM 924 LA OM 926 LA M 906 LAG



REPAIR KIT



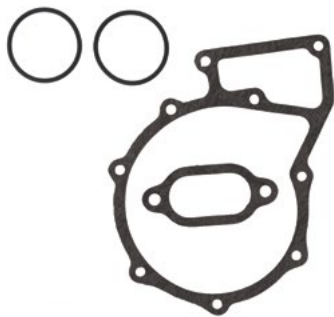
Fempar No	Cross References	Vehicle/Model	Engine
180-900-019-R			OM 904 LA OM 906 LA / HLA OM 924 LA OM 926 LA M 906 LAG

Remarks

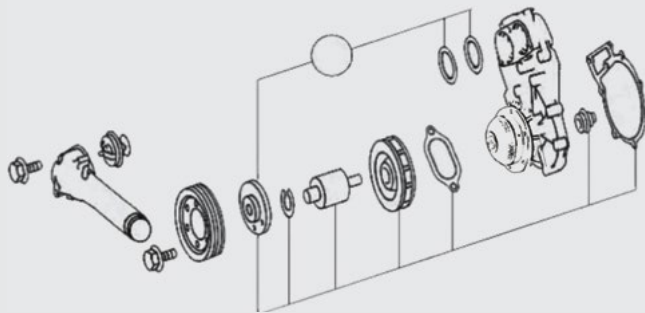
to fit water pumps:

906 200 6001	906 200 6101	906 200 4801	906 200 2901	906 200 1401
906 200 5201	906 200 6501	906 200 4201	906 200 2401	906 200 1301
906 200 2701	906 200 5701	906 200 3801	906 200 2201	906 200 0901
906 200 2601	906 200 5401	906 200 3201	906 200 1801	

WATER PUMP



Fempar No	Cross Referenes	Vehicle/Model	Engine
180-900-020	5422002501		OM 501 LA OM 502 LA



REPAIR KIT

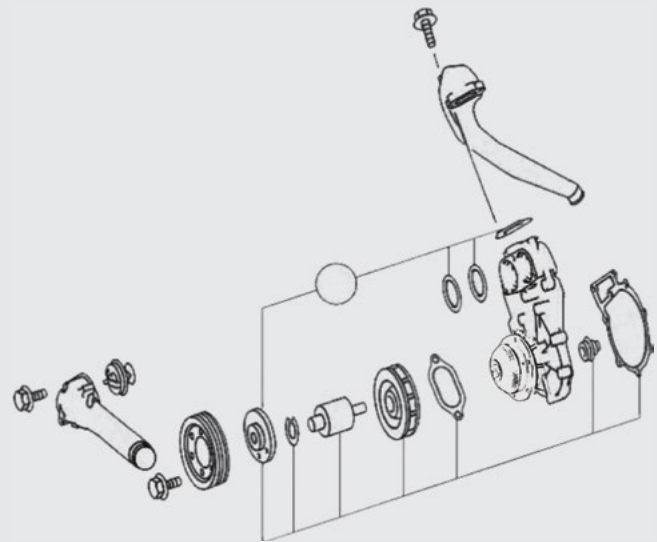


Fempar No	Cross References	Vehicle/Model	Engine
180-900-020-R		ACTROS 420kW 542.924 448kW 542.956	OM 501 LA OM 502 LA

WATER PUMP



Fempar No	Cross References	Vehicle/Model	Engine
180-900-021	5422002601		OM 502 LA



REPAIR KIT



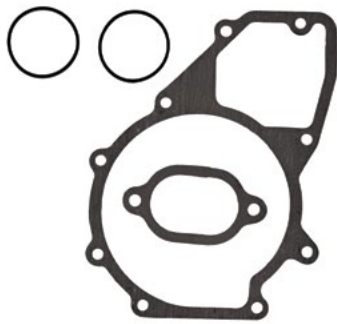
Fempar No	Cross References	Vehicle/Model	Engine
180-900-021-R		ACTROS 420kW 542.924 448kW 542.956	OM 502 LA

Remarks

to fit water pumps:

- 5422002601
- 5422002201
- 5422001801

WATER PUMP

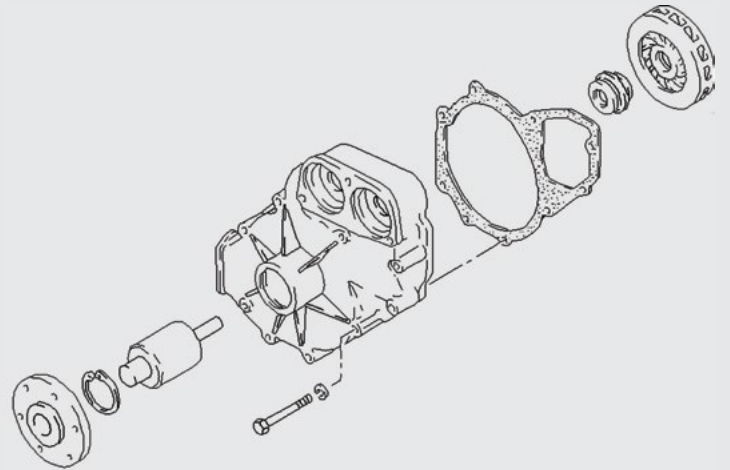


Fempar No	Cross References	Vehicle/Model	Engine
180-920-001	51065006282	V 28 00	E 2866 DOH 01/DF 01
		Z 37 00	D 2566 M/MF/MR/MFR
	51065006387	Z 55 00	D 2566 UH/200
		Z 49 00	D 2565 MUL
		Z 65 00	D 2866 UH/UM/UM 01
		Z 65 01...	D 2866 UM01 IKARUS V/S...

*impeller: ø 125

Fempar No	Cross References	Vehicle/Model	Engine
180-920-001	51065006408	V01 00	D2866 TUH/TUH01/TUM
		V01 01	D2866 TUH01 IKARUS
		V04 00	G2866 UH/UM/DUH01-05/
		V05 00	DUM01
		V06 00	D2865 LU01-06
		V07 00	D2840 LF01/04/06
		V10 00	D2865 LF/LFR/LXF/
		V13 00	LXFR/LF01.../LFR01...
		V15 00...	D2866 LH01/02...

*impeller: ø 135



REPAIR KIT



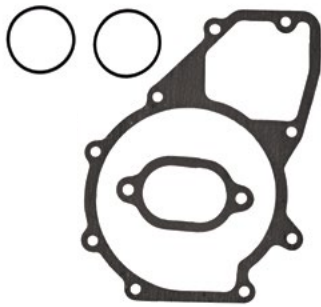
Fempar No	Cross References	Vehicle/Model	Engine
180-920-001-R		V 28 00	E 2866 DOH 01/DF 01
		Z 37 00	D 2566 M/MF/MR/MFR
		Z 55 00	D 2566 UH/200
		Z 49 00	D 2565 MUL
		Z 65 00	D 2866 UH/UM/UM 01
		Z 65 01	D 2866 UM01 IKARUS V/S
		Z 65 02	D 2866 UH
		Z 88 00	D 2866 FG
		Z 92 00	D 2866 F/FR
		Z 96 00	D 2866 OH
		Z 21 01	D 2530 MTXF
		Z 39 00	D 2566 MUH
		Z 48 00	D 2566 MTUH
		Z 78 00	D 2866 FZR

*impeller: ø 125

Remarks

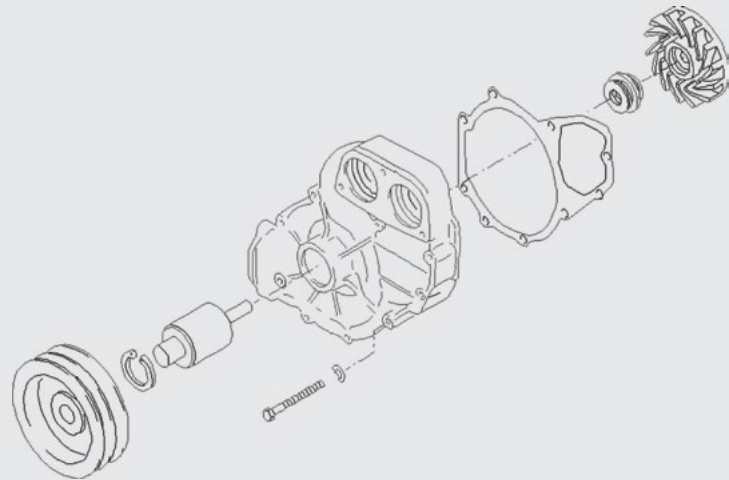
to fit water pumps:
51065006282
51065006387

WATER PUMP



Fempar No	Cross References	Vehicle/Model	Engine
180-920-002	51065006545	V 07 00	D 2865 LF/LFR/LXF/LXFR/
		V 25 00	LF01../LFR01
		Z 76 01	D 2865 LF 21-24
		Z 76 03	D 2866 LF02-10/14-17
		Z 76 04	D 2866 LF05
		V 26 00	D 2866 LF05
		V 26 02	D 2866 LF 20-25/29-31/34/
		V 26 05	35/39/40
		V 26 01	D 2866 LF 20/21
		V 26 04	D 2866 LF 21
			D 2866 LF 21
			D 2866 LF 22

*impeller: ø 135



REPAIR KIT



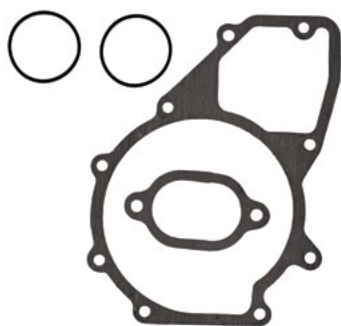
Fempar No	Cross References	Vehicle/Model	Engine
180-920-002-R		V 07 00	D 2865 LF/LFR/LXF/LXFR/
		V 25 00	LF01../LFR01
		Z 76 01	D 2865 LF 21-24
		Z 76 03	D 2866 LF02-10/14-17
		Z 76 04	D 2866 LF05
		V 26 00	D 2866 LF05
		V 26 02	D 2866 LF 20-25/29-31/34/
		V 26 05	35/39/40
		V 26 01	D 2866 LF 20/21
		V 26 04	D 2866 LF 21
			D 2866 LF 21
			D 2866 LF 22

*impeller: ø 135

Remarks

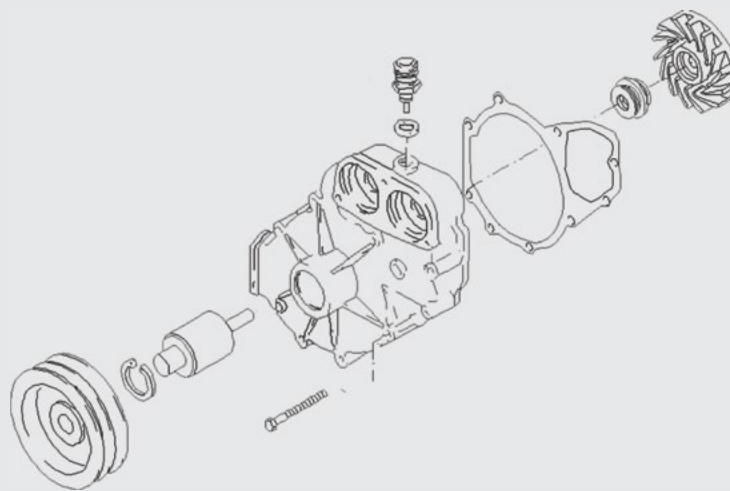
to fit water pumps:
 51065006545 51065006408
 51065006547
 51065006492

WATER PUMP



Fempar No	Cross References	Vehicle/Model	Engine
180-920-003	51065006547	V 07 00 V 24 00 V 24 01 V 25 00 V 26 00 V 26 02 Z 76 01	D 2865 LF/LFR/LXF/LXFR/LF01../LFR01 D 2876 LF 01-03/06/08-10/14/17 D 2876 LF 06 D 2865 LF 21-24 D 2866 LF 20-25/29-31/34/35/39/40 D 2866 LF 20/21 D 2866 LF02-10/14-17

*impeller: ø 135



REPAIR KIT



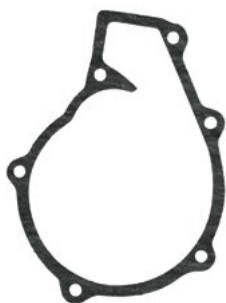
Fempar No	Cross References	Vehicle/Model	Engine
180-920-003-R		V 07 00 V 24 00 V 24 01 V 25 00 V 26 00 V 26 02 Z 76 01	D 2865 LF/LFR/LXF/LXFR/LF01../LFR01 D 2876 LF 01-03/06/08-10/14/17 D 2876 LF 06 D 2865 LF 21-24 D 2866 LF 20-25/29-31/34/35/39/40 D 2866 LF 20/21 D 2866 LF02-10/14-17

*impeller: ø 135

Remarks

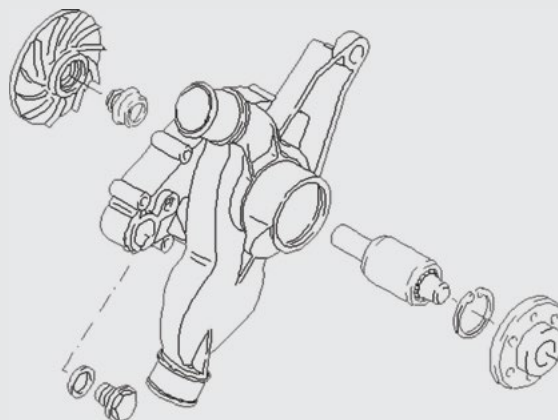
to fit water pumps:
51065006545 51065006408
51065006547
51065006492

WATER PUMP



Fempar No	Cross References	Vehicle/Model	Engine
180-920-004	51065006515	V 19 00	D 0824 LOH01/02/03/04/05
		V 23 00	D 0826 LFL03/06-10
	51065006532	V 18 00	D 0824 LF01
		V 47 00	D 0824 LFG01/02/04-10/
	V 17 00	LFO-01	
	V 17 01	D 0824 LFL09/10	
	V 23 01	D 0826 LFL03/06-10	
			D 0826 LFL10-PAKISTAN

*impeller: ø 110



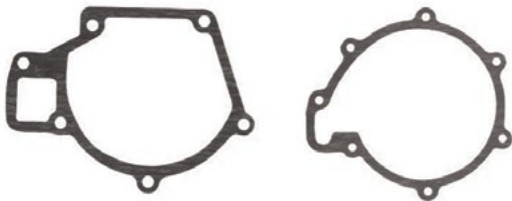
REPAIR KIT



Fempar No	Cross References	Vehicle/Model	Engine
180-920-004-R	51065996068	V 19 00	D 0824 LOH01/02/03/04/05
		V 23 00	D 0826 LFL03/06-10
	51065996060	V 18 00	D 0824 LF01
		V 47 00	D 0824 LFG01/02/04-10/LFO-01
	V 17 00	D 0824 LFL09/10	
	V 17 01	D 0826 LFL03/06-10	
	V 23 01	D 0826 LFL10-PAKISTAN	

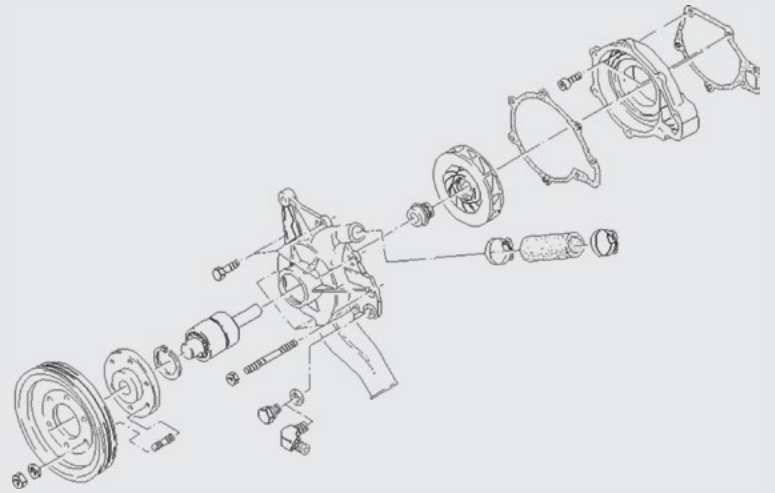
*impeller: ø 110

WATER PUMP



Fempar No	Cross References	Vehicle/Model	Engine
180-920-005	51065006476	V 38 00	D 0824 LE301
		V 27 00	D 0824 LF01/02
	51065006462	V 19 00	D 0824 LOH01/02/03/04/05
		V 02 00	D 0826 F/FR/F01/02/FR01-02
	V 21 00	D 0826 FO/FO-01/02	
	Z 95 00	D 0826 LF/LF217/LF01/02/04	
	Z 95 01	D 0826 LF01	
	V 30 00	D 0826 LF15/17/18	
	V 11 00	D 0826 LFG01/02/06	
	V 23 00	D 0826 LFL03/06-10	
	V 09 00	D 0826 LOH/LOH01-13	
	V 09 01	D 0826 LOH 07	
	V 29 00	D 0826 LOH 15/17/18/19	
	V 93 00	D 0826 OH/OH01-13	
	V 94 00	D 0826 TF	

*impeller: ø 125



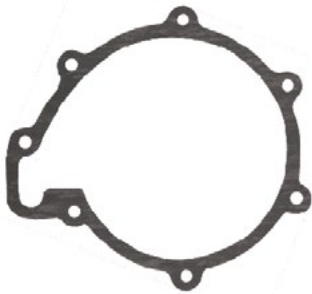
REPAIR KIT



Fempar No	Cross References	Vehicle/Model	Engine
180-920-005-R	51065996052	V 38 00	D 0824 LE301
		V 27 00	D 0824 LF01/02
		V 19 00	D 0824 LOH01/02/03/04/05
		V 02 00	D 0826 F/FR/F01/02/FR01-02
		V 21 00	D 0826 FO/FO-01/02
		Z 95 00	D 0826 LF/LF217/LF01/02/04
		Z 95 01	D 0826 LF01
		V 30 00	D 0826 LF15/17/18
		V 11 00	D 0826 LFG01/02/06
		V 23 00	D 0826 LFL03/06-10
		V 09 00	D 0826 LOH/LOH01-13
		V 09 01	D 0826 LOH 07
		V 29 00	D 0826 LOH 15/17/18/19
		V 93 00	D 0826 OH/OH01-13
		V 94 00	D 0826 TF

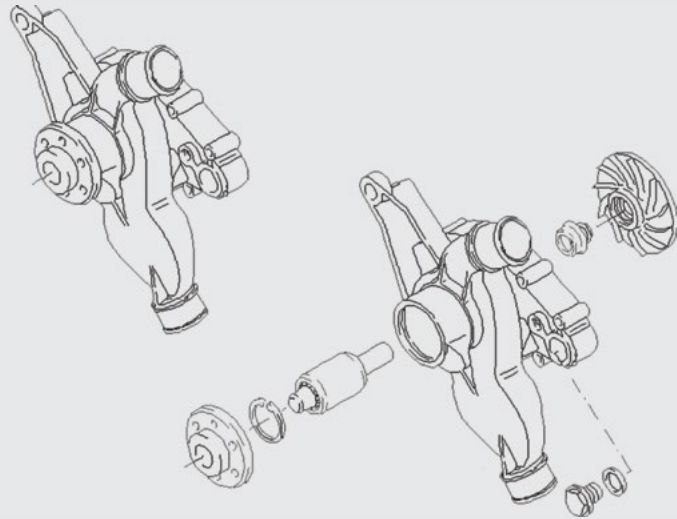
*impeller: ø 125

WATER PUMP

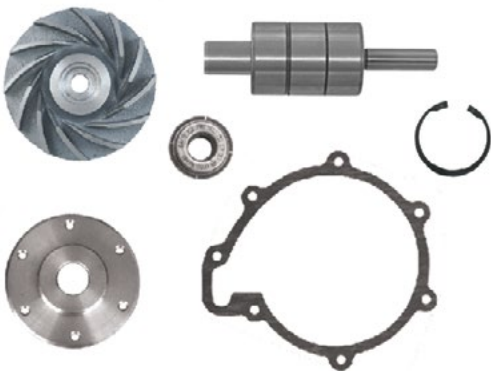


Fempar No	Cross References	Vehicle/Model	Engine
180-920-006	51065006537	V 27 00 V 17 00 V 19 00 V 19 01 Z 95 00 V 30 00 V 41 00 V 23 00 V 29 00	D 0824 LF01/02 D 0824 LF01/02/04-10/LFO-01 D 0824 LOH01/02/03/04/05 D 0824 LOH05 D 0826 LF/LF217/LF01/02/04 D 0826 LF15/17/18 D 0826 LFG15/16 D 0826 LFL03/06-10 D 0826 LOH15/17/18/19

*impeller: ø 125



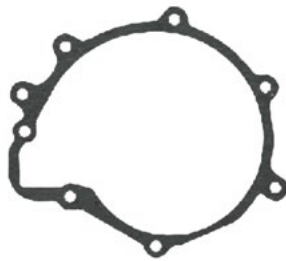
REPAIR KIT



Fempar No	Cross References	Vehicle/Model	Engine
180-920-00	51065996067	V 27 00 V 17 00 V 19 00 V 19 01 Z 95 00 V 30 00 V 41 00 V 23 00 V 29 00	D 0824 LF01/02 D 0824 LF01/02/04-10/LFO-01 D 0824 LOH01/02/03/04/05 D 0824 LOH05 D 0826 LF/LF217/LF01/02/04 D 0826 LF15/17/18 D 0826 LFG15/16 D 0826 LFL03/06-10 D 0826 LOH15/17/18/19

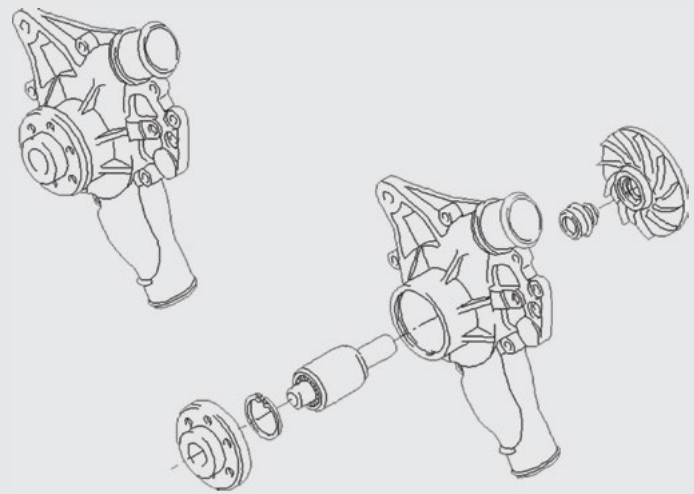
*impeller: ø 125

WATER PUMP



Fempar No	Cross References	Vehicle/Model	Engine
180-920-007	5106500669	V 39 00	D 0836 LFL01-06
	51065006612	V 40 00	D 0836 LF01/03-05
	51065006606	V 44 00	D 0834 LFL01
	51065006575	V 49 00	D 0836 LOH01/02/03/04
		V 51 00	D 0834 LOH01/02/03
	V 61 00	D 0836 LFG01	

*impeller: ø 125



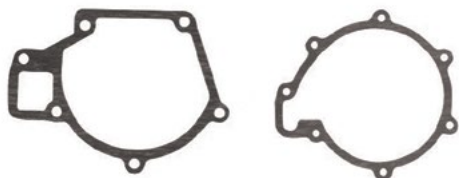
REPAIR KIT



Fempar No	Cross References	Vehicle/Model	Engine
180-920-007-R	51065996081	V 39 00	D 0836 LFL01-06
		V 40 00	D 0836 LF01/03-05
		V 44 00	D 0834 LFL01
		V 49 00	D 0836 LOH01/02/03/04
		V 51 00	D 0834 LOH01/02/03
		V 61 00	D 0836 LFG01

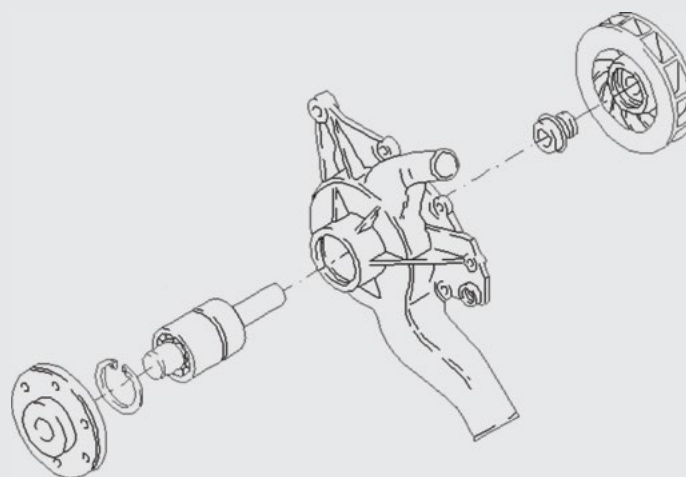
*impeller: ø 125

WATER PUMP



Fempar No	Cross References	Vehicle/Model	Engine
180-920-008	51065006495	V 09 00	D 0826 LOH/LOH01-13
	51065006463	Z 95 00	D 0826 LF/LF217/LF01/02/04
		Z 86 00	D 0826 TOH
		Z 86 01	G 0826 DOH D 2865 LF21/22/23

*impeller: ø 135



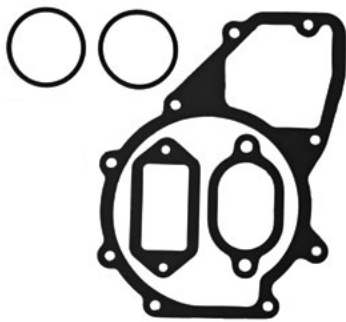
REPAIR KIT



Fempar No	Cross References	Vehicle/Model	Engine
180-920-008-R		V 09 00	D 0826 LOH/LOH01-13
		Z 95 00	D 0826 LF/LF217/LF01/02/04
		Z 86 00	D 0826 TOH
		Z 86 01	G 0826 DOH D 2865 LF21/22/23

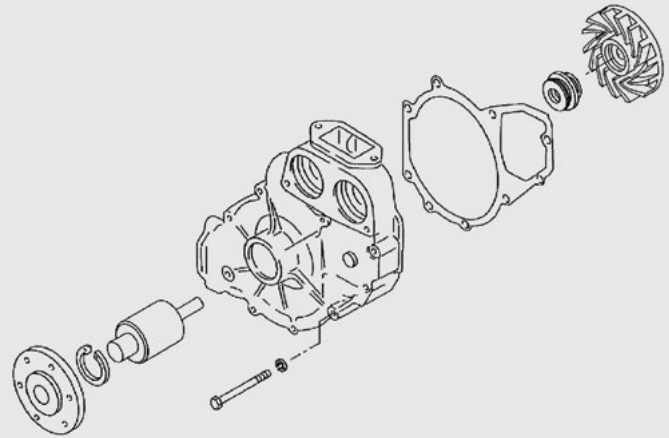
*impeller: ø 135

WATER PUMP



Fempar No	Cross References	Vehicle/Model	Engine
180-920-009	51065006426 51065006490	V 01 00	D 28 66 TUH/TUH 01/TUM
		V 01 01	D 28 66 TUH01/IKARUS
	V 05 00	D 28 65 LU 01/02/03	
	V 06 00	D 28 40 LF 01/04/06	
	V 10 00	D 28 66 LH 01/02	
	V 13 00	D 28 66 LUH/LXUH/LUH 05	
	V 14 00	D 28 65 LUH 02/03/05-09	
	V 15 00	D 28 66 LOH 20-26/30/31	
	V 16 00	E 28 66 DUH 01	
	Z 20 00	D 25 66 MKUL	
	Z 36 00	D 25 66 M/MF/MFR	
	Z 64 00	D 28 66 KUH	
	Z 78 00	D 28 66 FZR	
	Z 79 00	D 28 66 TOH	
	Z 92 00	D 28 66 F/FR	
	Z 96 00	D 28 66 OH	

*impeller: ø 135



REPAIR KIT



Fempar No	Cross References	Vehicle/Model	Engine
180-920-009-R		V 01 00	D 28 66 TUH/TUH 01/TUM
		V 01 01	D 28 66 TUH01/IKARUS
		V 05 00	D 28 65 LU 01/02/03
		V 06 00	D 28 40 LF 01/04/06
		V 10 00	D 28 66 LH 01/02
		V 13 00	D 28 66 LUH/LXUH/LUH 05
		V 14 00	D 28 65 LUH 02/03/05-09
		V 15 00	D 28 66 LOH 20-26/30/31
		V 16 00	E 28 66 DUH 01
		Z 20 00	D 25 66 MKUL
		Z 36 00	D 25 66 M/MF/MFR
		Z 64 00	D 28 66 KUH
		Z 78 00	D 28 66 FZR
		Z 79 00	
		Z 92 00	
		Z 96 00	

*impeller: ø 135

Remarks

to fit water pumps:

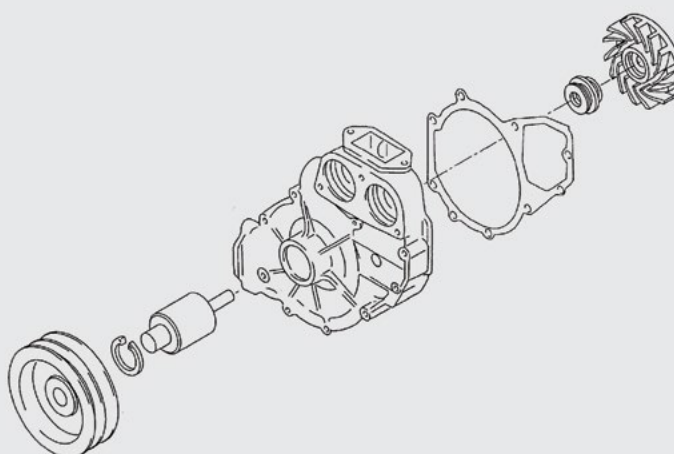
- 51065006546
- 51065006426
- 51065006490
- 51065006616

WATER PUMP



Fempar No	Cross References	Vehicle/Model	Engine
180-920-011	51065006546	V 24 00 V 25 00 V 26 00 V 28 00 Z 76 01	D 28 76 LF 01-03/06/08/09/10 D 28 65 LF 21-24 D 28 66 LF 20-25/29/31/34/35/39/40 E 28 66 DOH 01/DF 01 D 28 66 LF 02-10/14-17

*impeller: ø 135



REPAIR KIT



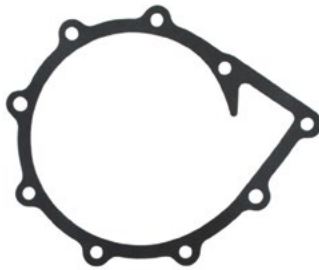
Fempar No	Cross References	Vehicle/Model	Engine
180-920-011-R		V 24 00 V 25 00 V 26 00 V 28 00 Z 76 01	D 28 76 LF 01-03/06/08/09/10 D 28 65 LF 21-24 D 28 66 LF 20-25/29/31/34/35/39/40 E 28 66 DOH 01/DF 01 D 28 66 LF 02-10/14-17

*impeller: ø 135

Remarks

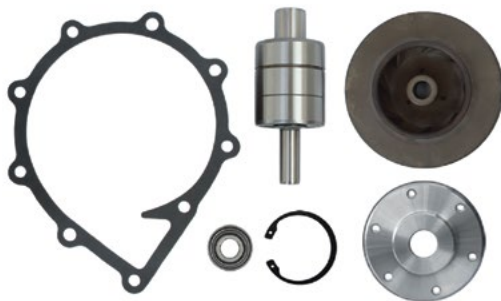
to fit water pumps:
51065006546
51065006426
51065006490
51065006616

WATER PUMP



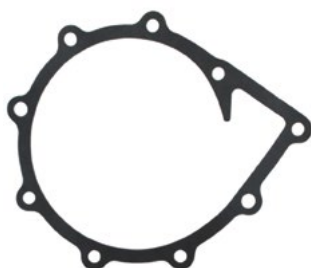
Fempar No	Cross References	Vehicle/Model	Engine
180-920-012	51065007049	V 55 00	D 2066 LF 01 04/06/07/11
	51065006637	V 55 02	D 2066 LF 01 (USA)
		V 73 00	D 2066 LF 01/11/12

REPAIR KIT



Fempar No	Cross References	Vehicle/Model	Engine
180-920-012-R	51065996086	V 55 00 V 55 02 V 73 00	D 2066 LF 01 04/06/07/11 D 2066 LF 01 (USA) D 2066 LF 01/11/12

WATER PUMP



Fempar No	Cross References	Vehicle/Model	Engine
180-920-014	51065006642	V 55 00	D 2066 LF01 04/06/07/
		V 55 01	11-14/21/22 31-35
	51065006675	V 55 03	D 2066 LF 34 (MOD UK)
		V 65 00	D 2066 LF 34 (DAENISCHE ARMEE)
	V 67 00	D 2066 LOH 01/02/03/04/10	
	V 70 00	D 2676 LOH 01/02	
	V 70 01	D 2066 LFG 01	
	V 73 00	D 2066 LFG 01 (MOD UK)	
			D 2676 LF 01/11/12

REPAIR KIT



Fempar No	Cross References	Vehicle/Model	Engine	
180-920-014-R	51065996091	V 55 00	D 2066 LF01 04/06/07/11-14/21/22	
		V 55 01	31-35	
		V 55 03	D 2066 LF 34 (MOD UK)	
		V 65 00	D 2066 LF 34 (DAENISCHE ARMEE)	
		V 67 00	D 2066 LOH 01/02/03/04/10	
		V 70 00	D 2676 LOH 01/02	
		V 70 01	D 2066 LFG 01	
		V 73 00	D 2066 LFG 01 (MOD UK)	
				D 2676 LF 01/11/12

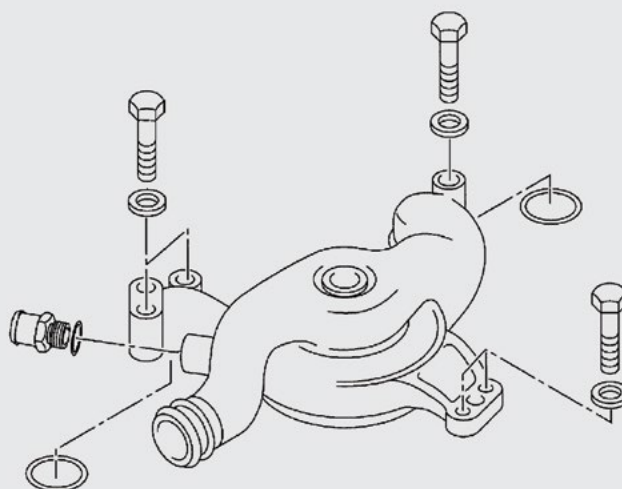
Remarks

to fit water pumps:
 51065006642
 51065006646
 51065007078

WATER PUMP



Fempar No	Cross References	Vehicle/Model	Engine
180-920-013	51065007066	TGA	D 2866 LF 26-28/32/36/37
	51065007052	V4200	D 2876 LF 04/07
	51065007051	V4300	D2876 LF01-03/06/08-10/14/17
	51065007048	V24 00	D2866 LF20-25/29-31/34/35/38/39/40/45
	51065007047	V26 06	D2866 LF24-OEBH
	51065007045	V42 00	D2866 LF26-28/32/36/37/41/43
	51065007044	V43 00	D2876
	51065007043	V53 00	LF04/05/07/11/20/21/22/24
	51065007037		D2876 LF12/13/25
	51065007036		
	51065007033		

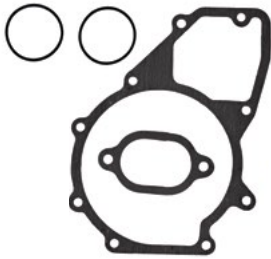


REPAIR KIT



Fempar No	Cross References	Vehicle/Model	Engine
180-920-013-R		TGA	D 2866 LF 26-28/32/36/37
		V4200	D 2876 LF 04/07
		V4300	D2876 LF01-03/06/08-10/14/17
		V24 00	D2866 LF20-25/29-31/34/35/38/39/40/45
		V26 06	D2866 LF24-OEBH
		V42 00	D2866 LF26-28/32/36/37/41/43
		V43 00	D2876
		V53 00	

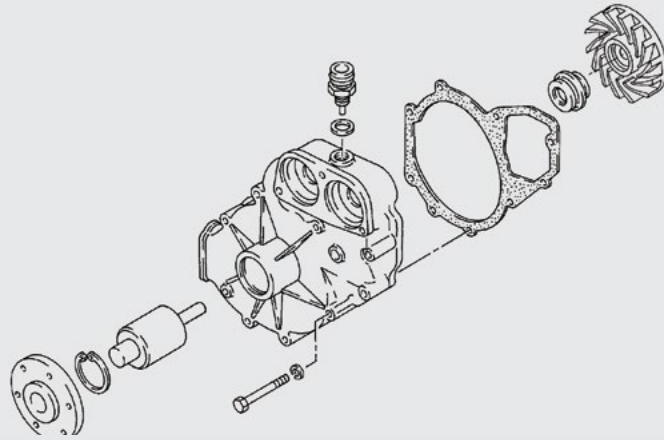
WATER PUMP



Fempar No	Cross References	Vehicle/Model	Engine
180-920-015	51065006492	V 05 00 V 07 00 V 14 00 V 15 00 V 22 00 V 24 00 V 25 00 V 26 00 V 32 00 V 32 02 V 33 00 V 45 00 Z 68 00 Z 76 00 Z 76 01 Z 89 00	D 2865 LU 01/02/03 D 2865 LF/LFR/LXF/IXFR/LF01..LFR01... D 2865 LUH 02/03/05-09 D 2866 LOH 20-26/30/31 D 2865 LOH 01/02/05/07-10 D 2876 LF 01-03/06/08-10/14/17 D 2865 LF 21-24 D 2866 LF 20-25/29-31/34/35/38/39/40/45 D 2866 LUH 20/21/22/26 D 2866 LUH 21-ADTRANZ D 2876 LOH 01 D 2876 LOH 02/03/04/05 D 2866 LU/LUL/LXU/LU01/03/04/07/08 D 2866 LF/LXF

*impeller: ø 135

4-17



REPAIR KIT



Fempar No	Cross References	Vehicle/Model	Engine
180-920-015-R		V 05 00 V 07 00 V 14 00 V 15 00 V 22 00 V 24 00 V 25 00 V 26 00 V 32 00 V 32 02 V 33 00 V 45 00 Z 68 00 Z 76 00 Z 76 01 Z 89 00	D 2865 LU 01/02/03 D 2865 LF/LFR/LXF/IXFR/LF01..LFR01... D 2865 LUH 02/03/05-09 D 2866 LOH 20-26/30/31 D 2865 LOH 01/02/05/07-10 D 2876 LF 01-03/06/08-10/14/17 D 2865 LF 21-24 D 2866 LF 20-25/29-31/34/35/38/39/40/45 D 2866 LUH 20/21/22/26 D 2866 LUH 21-ADTRANZ D 2876 LOH 01 D 2876 LOH 02/03/04/05 D 2866 LU/LUL/LXU/LU01/03/04/07/08 D 2866 LF/LXF D 2866 LF 02-10/14-17 D 2866 LFG/LXFG

*impeller: ø 135

Remarks

to fit water pumps:

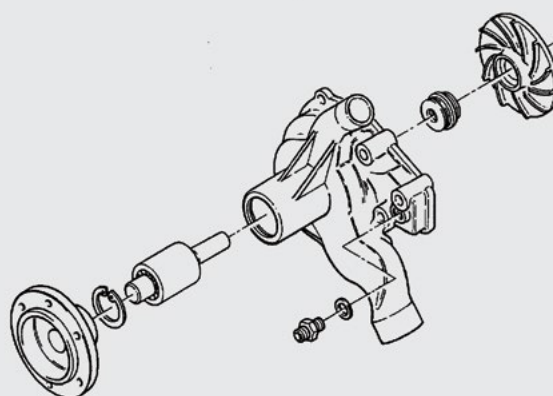
- 51065006545 51065006408
- 51065006547
- 51065006492

WATER PUMP



Fempar No	Cross References	Vehicle/Model	Engine
180-920-016	51065006432	V12 00	D0826 GFA02
	51065006423	Z57 00	D0226 MKF/MKH/MKFA/
	51065006416	Z81 00	MKFO/MKF-CA/USA
	51065006394	Z82 00	D0224 M
	51065006374	Z83 00	D0824 GF/GF01/02/03 KOOP-VW D0826 GF/GFA/GF01/03/04/ GFA01/03/04 KOOP-VW

*impeller: ø 110



REPAIR KIT



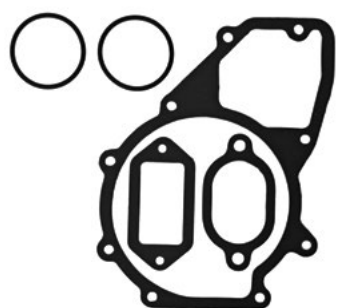
Fempar No	Cross References	Vehicle/Model	Engine
180-920-016-R	51065996023	V12 00	D0826 GFA02
		Z57 00	D0226 MKF/MKH/MKFA/
		Z81 00	MKFO/MKF-CA/USA
		Z82 00	D0224 M
		Z83 00	D0824 GF/GF01/02/03 KOOP-VW D0826 GF/GFA/GF01/03/04/ GFA01/03/04 KOOP-VW

*impeller: ø 110

Remarks

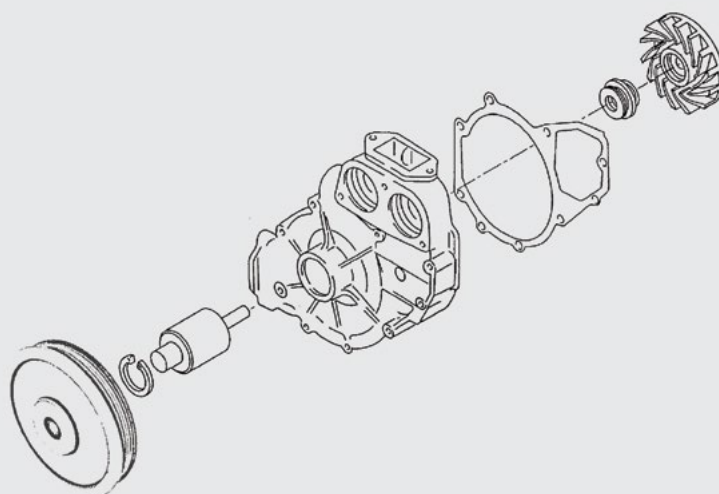
to fit water pumps:
51065006432
51065006443

WATER PUMP



Fempar No	Cross References	Vehicle/Model	Engine
180-920-017	51065006616	V42 00 V43 00 V53 00	D2866 LF26-28/32/36/37/41/43 D2876 LF04/05/07/11/20/21/22/24 D2876 LF12/13/25

*impeller: ø 135



REPAIR KIT



Fempar No	Cross References	Vehicle/Model	Engine
180-920-017-R		V 24 00 V 25 00 V 26 00 V 28 00 Z 76 01	D 28 76 LF 01-03/06/08/09/10 D 28 65 LF 21-24 D 28 66 LF 20-25/29/31/34/35/39/40 E 28 66 DOH 01/DF 01 D 28 66 LF 02-10/14-17

*impeller: ø 135

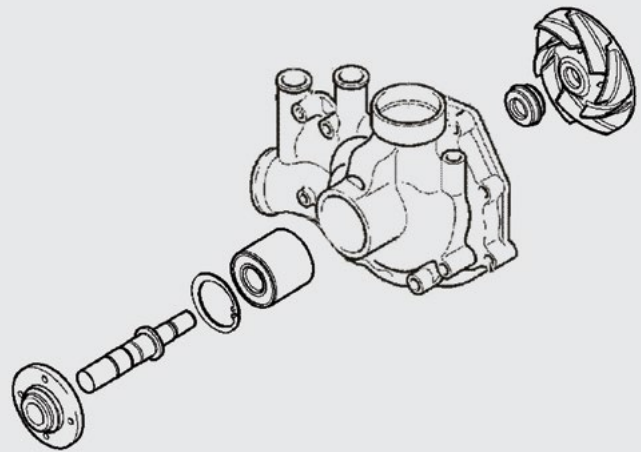
Remarks

to fit water pumps:
51065006616
51065006546
51065006426
51065006490

WATER PUMP



Fempar No	Cross References	Vehicle/Model	Engine
180-950-001	1609871 0683586 0683225 0683386	75 CF 85 CF 95 XF 95 XF 530 F 75 F 95 LF 45 XF 95	6-8-11 Ltr. engines



REPAIR KIT



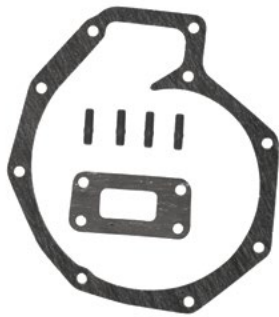
Fempar No	Cross References	Vehicle/Model	Engine
180-950-001-R		75 CF 85 CF 95 XF 95 XF 530 F 75 F 95 LF 45 XF 95	6-8-11 Ltr. engines

Remarks

to fit water pumps:

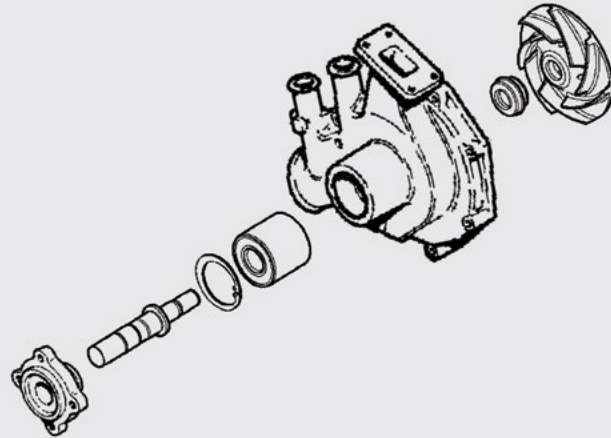
1609871
0683579
0683586

WATER PUMP



Fempar No	Cross References	Vehicle/Model	Engine
180-950-002	0682968	F 80	WS242L
	0682258	F 85	WS268L
	0681653	F 95	WS295
			WS315G

180-950-002	0682980	F 85	WS315L
		F 95	
		1160 AVM	
		KD	
		SBR 3000	



REPAIR KIT



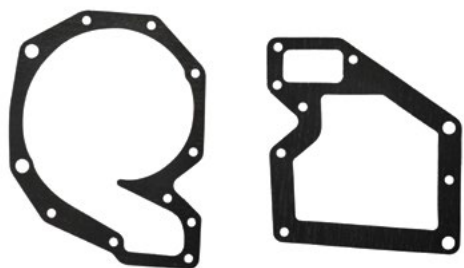
Fempar No	Cross References	Vehicle/Model	Engine
180-950-002-R		F 80	WS242L
		F 85	WS268L
		F 95	WS295
		1160 AVM	WS315G
		KD	WS315L
		SBR 3000	
		SBR 3000	
		SBR 3000	

Remarks

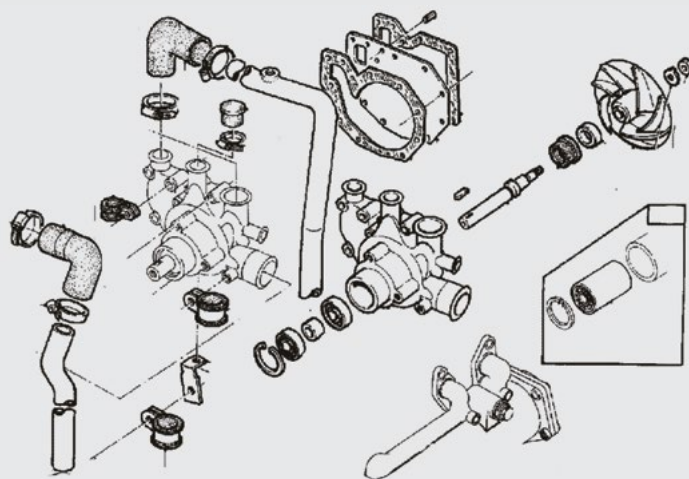
to fit water pumps:

- 0682968
- 0682258
- 0682980

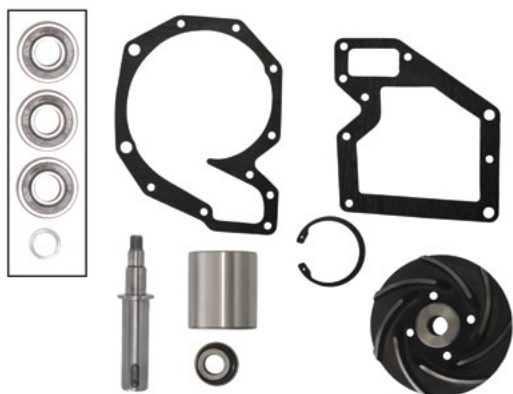
WATER PUMP



Fempar No	Cross References	Vehicle/Model	Engine
180-950-003	0682262	BUS	DKS 1160
	0680156	F 2800 F 2900 F 3200 F 3300 F 3600 N 2800 TT 2100	DKSE 1160 DKST 1160 DKTD 1160 With Visco Drive Fan

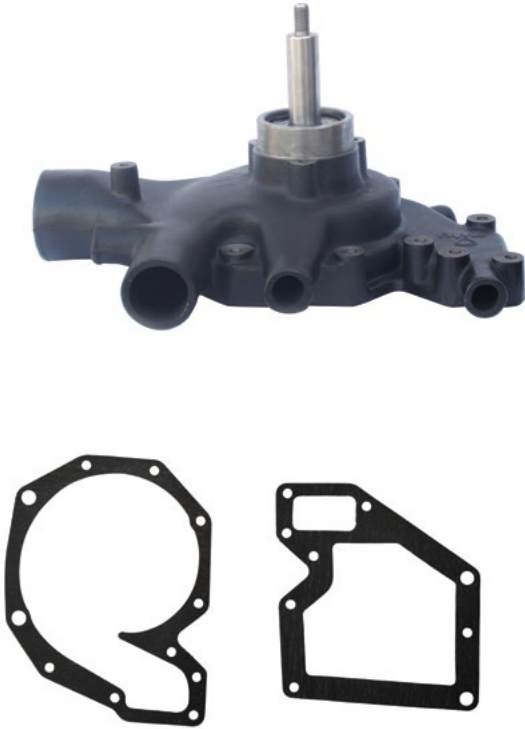


REPAIR KIT

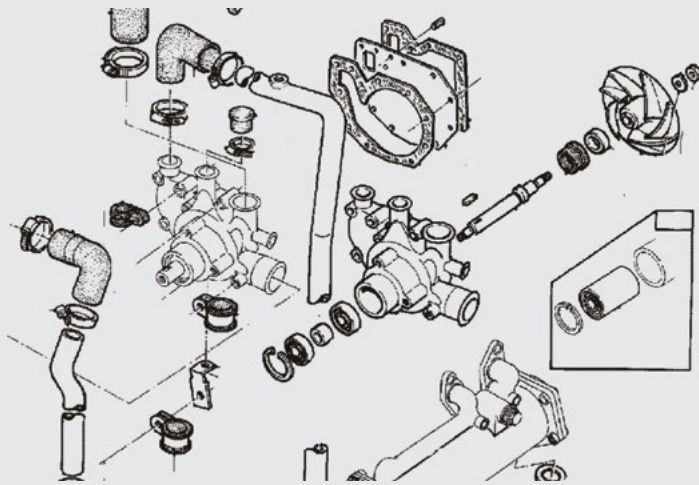


Fempar No	Cross References	Vehicle/Model	Engine
180-950-003-R		BUS	DKS 1160
		F 2800 F 2900 F 3200 F 3300 F 3600 N 2800 TT 2100	DKSE 1160 DKST 1160 DKTD 1160 With Visco Drive Fan

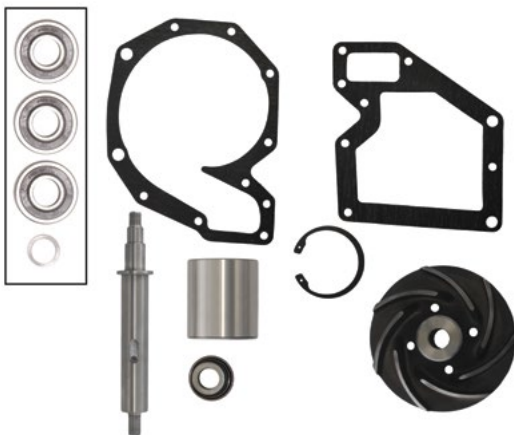
WATER PUMP



Fempar No	Cross References	Vehicle/Model	Engine
180-950-004	0682260	F 2800	DKS 1160
	0517097	F 2900	DKSE 1160
	0506109	F 3200	DKST 1160
		F 3300	DKTD 1160
		F 3600	
		N 2800	With Electric Fan
		TT 2100	



REPAIR KIT



Fempar No	Cross References	Vehicle/Model	Engine
180-950-004-R		F 2800	DKS 1160
		F 2900	DKSE 1160
		F 3200	DKST 1160
		F 3300	DKTD 1160
		F 3600	
		N 2800	With Electric Fan
		TT 2100	

WATER PUMP



Fempar No	Cross References	Vehicle/Model	Engine
180-950-005	0683579 1399150 1399336	85 CF 95 XF CF 85 CF 85 IV XF 95 YTZ 95	6-8-11 Ltr. engines

REPAIR KIT

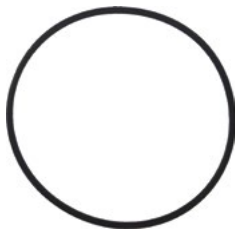


Fempar No	Cross References	Vehicle/Model	Engine
180-950-005-R		85 CF 95 XF CF 85 CF 85 IV XF 95 YTZ 95	6-8-11 Ltr. engines

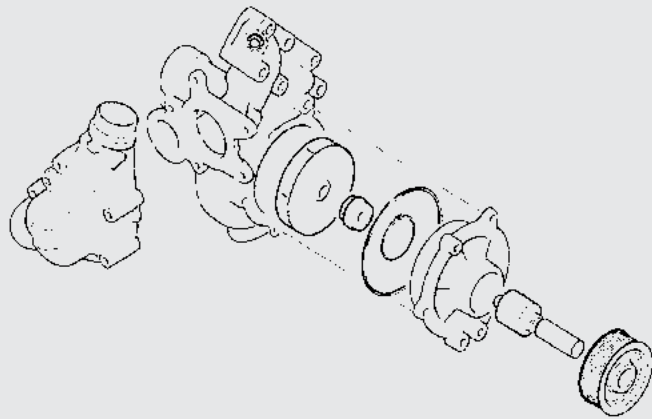
Remarks

to fit water pumps:
1609871
0683579
0683586

WATER PUMP



Fempar No	Cross References	Vehicle/Model	Engine
180-950-006	1778280 1664762	CF 85 IV F 5 - F 27 XF 105 XF 95	

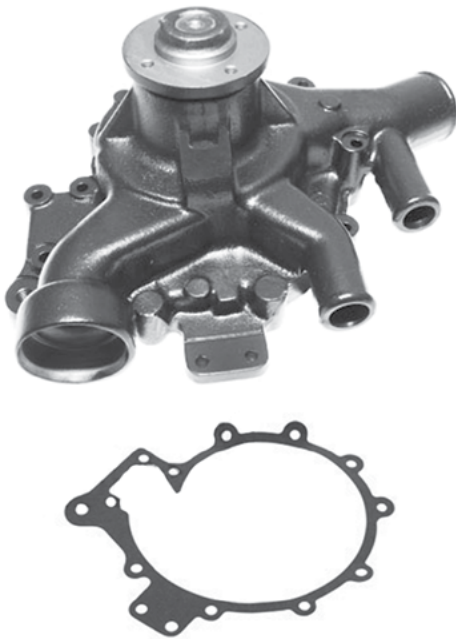


REPAIR KIT

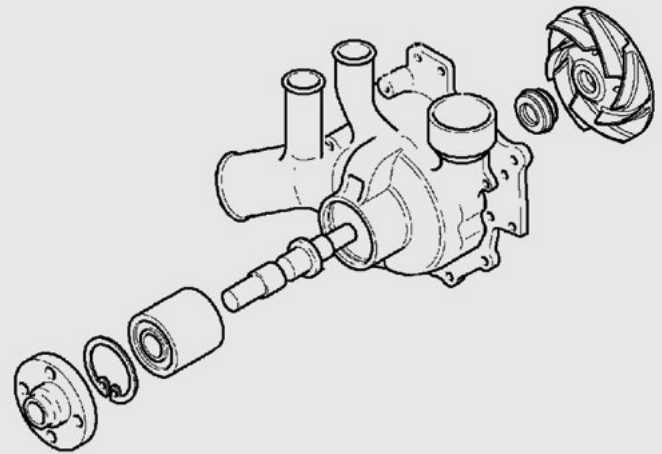


Fempar No	Cross References	Vehicle/Model	Engine
180-950-006-R		CF 85 IV F 5 - F 27 XF 105 XF 95	

WATER PUMP



Fempar No	Cross References	Vehicle/Model	Engine
180-950-007	0683338 (0683338R)	F75 75CF	

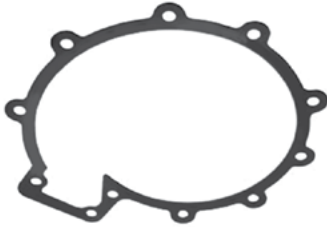


REPAIR KIT



Fempar No	Cross References	Vehicle/Model	Engine
180-950-007-R		F75 75CF	

WATER PUMP



Fempar No	Cross References	Vehicle/Model	Engine
180-950-008	0683580 1609854 1441060 (1609854R) (1441060R) (0683580R)	75 CF 95 XF 530 CF 75 CF 75 IV	6-8-11 Ltr. engines

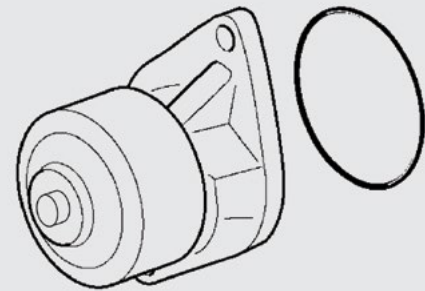
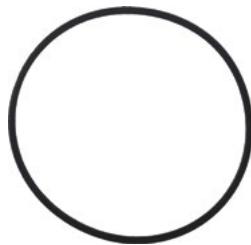
REPAIR KIT



Fempar No	Cross References	Vehicle/Model	Engine
180-950-008-R		75 CF 95 XF 530 CF 75 CF 75 IV	6-8-11 Ltr. engines

Remarks
to fit water pumps:
0682747
0683580

WATER PUMP



Fempar No	Cross References	Vehicle/Model	Engine
180-950-009	1399689 1399689R CBU 2714 CBU 2148 CBU 1909 CBU 1131 (CBU 2396R)	CF65 CF65II CF65IV LF45 LF45IV LF55 LF55IV	

REPAIR KIT

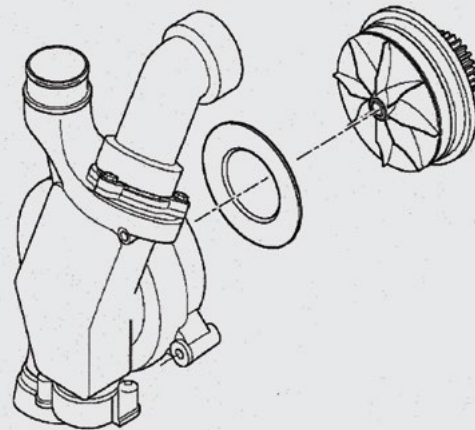


Fempar No	Cross References	Vehicle/Model	Engine
180-950-009-R		CF65 CF65II CF65IV LF45 LF45IV LF55 LF55IV	

WATER PUMP



Fempar No	Cross References	Vehicle/Model	Engine
180-960-001	5001857427 5001858484	PREMIUM TR 4x2 PREMIUM (FAB 22 E / H / J / Q / R) PREMIUM TRACTEUR 4x2 (FAB 22 CC) PREMIUM (FAB 22 EE / HA / HB / JJ / QQ / RR) PREMIUM PR 4x2 (FAB 22 AA / AB) KERAX (FAB 33 AA - SS) PREMIUM 22 C 071	FAB22CC



REPAIR KIT

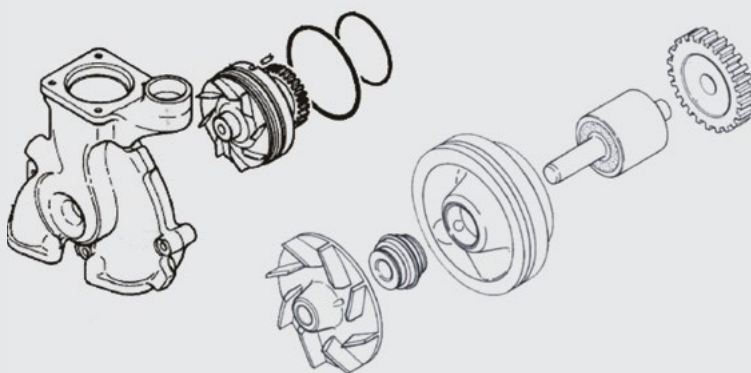


Fempar No	Cross References	Vehicle/Model	Engine
180-960-001-R		PREMIUM TR 4x2 PREMIUM (FAB 22 E / H / J / Q / R) PREMIUM TRACTEUR 4x2 (FAB 22 CC) PREMIUM (FAB 22 EE / HA / HB / JJ / QQ / RR) PREMIUM PR 4x2 (FAB 22 AA / AB) KERAX (FAB 33 AA - SS) PREMIUM 22 C 071	FAB22CC

WATER PUMP



Fempar No	Cross References	Vehicle/Model	Engine
180-960-002	5010330029 5001837309	MAXTER G 340 TI 6x6 G 340 TI TR 18 T PREMIUM TR 4x2 PREMIUM 6x2 & 6x2/4 MAXTER 4x2 - 4x4 PREMIUM PR 4x2 KERAX PREMIUM 260 SP PREMIUM TR 4x2 PREMIUM AB 22 E / H / J / Q / R PREMIUM PR 4x2 (FAB 22A) KERAX (FAB 33A)	MIDR 062045/141 MIDR 062045E

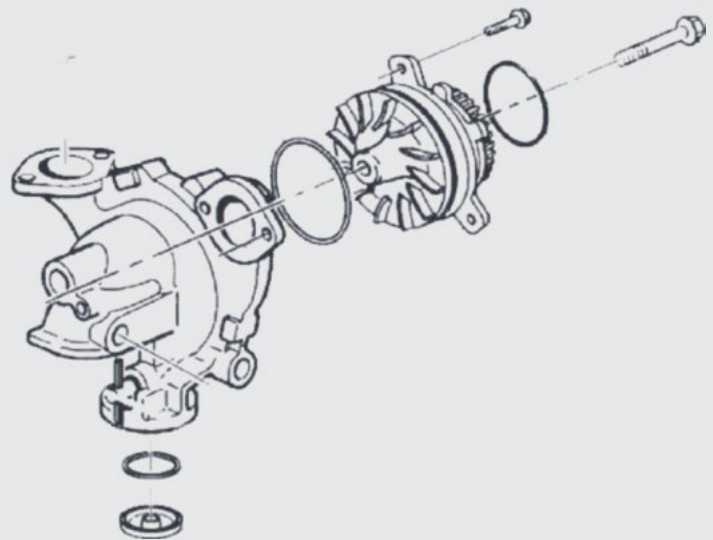
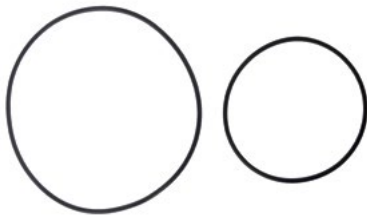


REPAIR KIT



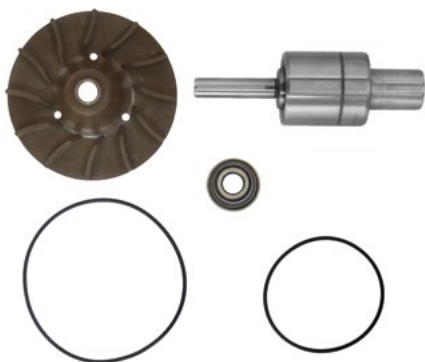
Fempar No	Cross References	Vehicle/Model	Engine
180-960-002-R		MAXTER G 340 TI 6x6 G 340 TI TR 18 T PREMIUM TR 4x2 PREMIUM 6x2 & 6x2/4 MAXTER 4x2 - 4x4 PREMIUM PR 4x2 KERAX PREMIUM 260 SP PREMIUM TR 4x2 PREMIUM AB 22 E / H / J / Q / R PREMIUM PR 4x2 (FAB 22A) KERAX (FAB 33A)	MIDR 062045/141 MIDR 062045E

WATER PUMP



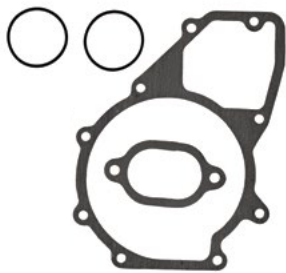
Fempar No	Cross References	Vehicle/Model	Engine
180-960-003	7420734268 5001866278	MAGNUM	DXI 12 DXI 13

REPAIR KIT

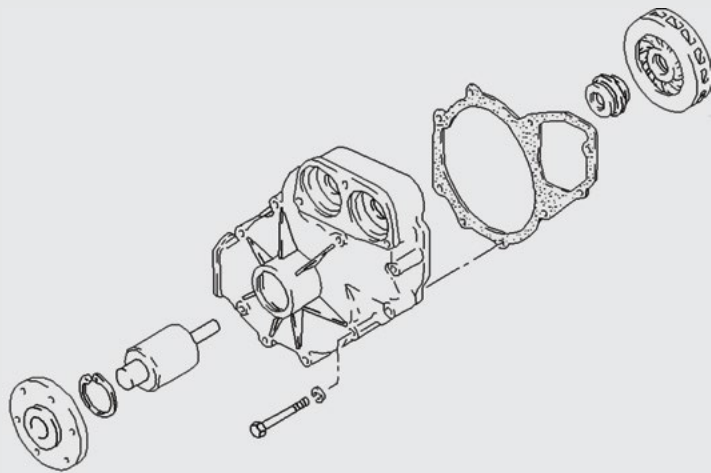


Fempar No	Cross References	Vehicle/Model	Engine
180-960-003-R		MAGNUM	DXI 12 DXI 13

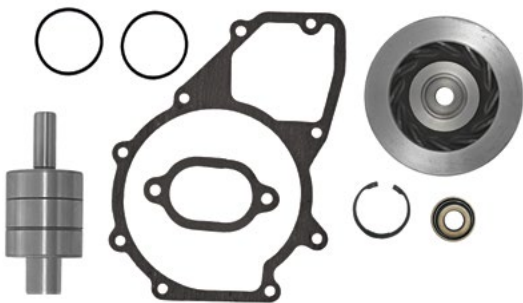
WATER PUMP



Fempar No	Cross References	Vehicle/Model	Engine
180-960-004	5000286186	TYPE ALL MODELS WITH ENGINE	D 25 66 D 25 30 D 25 38

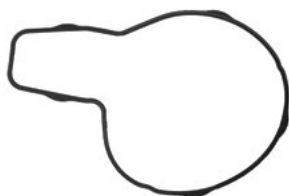


REPAIR KIT

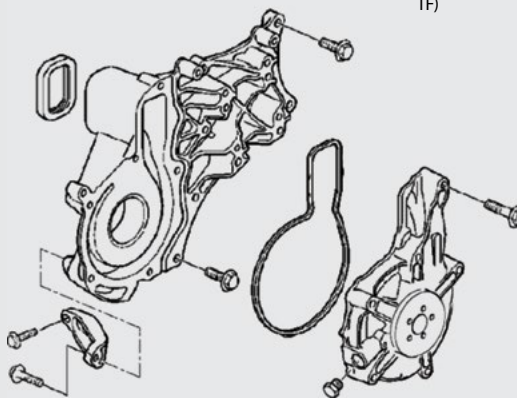


Fempar No	Cross References	Vehicle/Model	Engine
180-960-004-R		TYPE ALL MODELS WITH ENGINE	D 25 66 D 25 30 D 25 38

WATER PUMP



Fempar No	Cross References	Vehicle/Model	Engine
180-960-005	7420744940 7485000763	PREMIUM TR (FAB 27 JC / TC) PREMIUM PR (FAB 27 RC / SC) KERAX DXI (FAB 34 C / 34 F) MAGNUM DXI 13 (FAB 17 JE / RE / SE / TE) PREMIUM TR (FAB 24 F / 25 C) PREMIUM PR (FAB 24 F / 25 C) KERAX DXI (FAB 36 D / 36 E) MAGNUM DXI 13 (FAB 17 JF / RF / SF / TF)	TR FAB-27JC/TC PR FAB-27RC/SC DXI 11-FAB-34.C/34.F DXI 13 FAB 17JE/RE/SE/TE TR FAB-24.F/25.C PR FAB-24.F/25.C



PULLEY



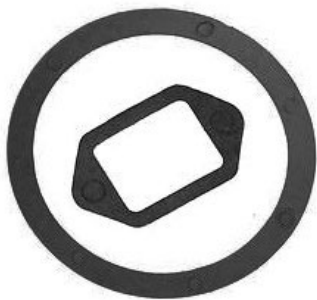
Fempar No	Cross References	Remarks
180-960-005-P	7420707160	Diameter Ø148 mm

REPAIR KIT



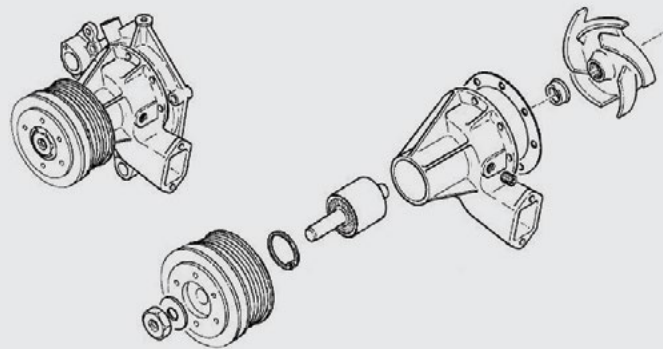
Fempar No	Cross References	Vehicle/Model	Engine
180-960-005-R		PREMIUM TR (FAB 27 JC / TC) PREMIUM PR (FAB 27 RC / SC) KERAX DXI (FAB 34 C / 34 F) MAGNUM DXI 13 (FAB 17 JE / RE / SE / TE) PREMIUM TR (FAB 24 F / 25 C) PREMIUM PR (FAB 24 F / 25 C) KERAX DXI (FAB 36 D / 36 E) MAGNUM DXI 13 (FAB 17 JF / RF / SF / TF)	TR FAB-27JC/TC PR FAB-27RC/SC DXI 11-FAB-34.C/34.F DXI 13 FAB 17JE/RE/SE/TE TR FAB-24.F/25.C PR FAB-24.F/25.C

WATER PUMP

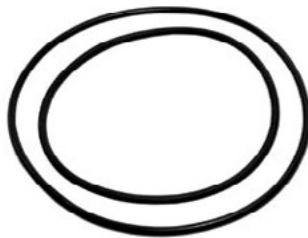


Fempar No	Cross References	Vehicle/Model	Engine
180-960-006 With Pulley	7485003149 5001875237 5200537899 5200551856	Magnum E-Tech 400/440/480 Sisu Sisu 6x4 TRPC 50T AF	

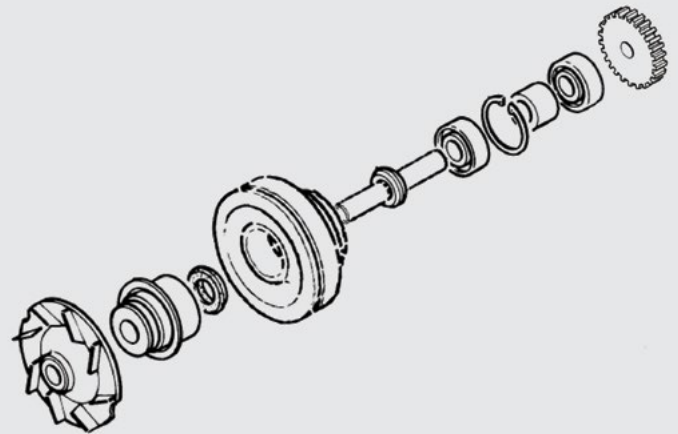
180-960-007 Without Pulley	5010284179 5001837331 5001863754 5010438102		
-------------------------------	--	--	--



WATER PUMP



Fempar No	Cross References	Vehicle/Model	Engine
180-960-008	5000670157	G 260 / 290 C 260 / 290 C 210, CLR 220 G 210 / 230 R 310 / 330 / 340 / 365 G 320 "R", R340TI C230 / 280 / 300 / 340TI / CCH300 MAXTER 6x4 - 8x4 "R", R340TI G 230 / 270 SP G 220 / 270 BOM "G" MANAGER 4x2 except / außer: G 300 "G" MANAGER 6x2 - 6x4 G 340TI 6x6 G 340TI 4x4 G 340TI, TR 18 T MAXTER 4x2 - 4x4	MIDR 062045 E MIDR 062045 E / 3



REPAIR KIT



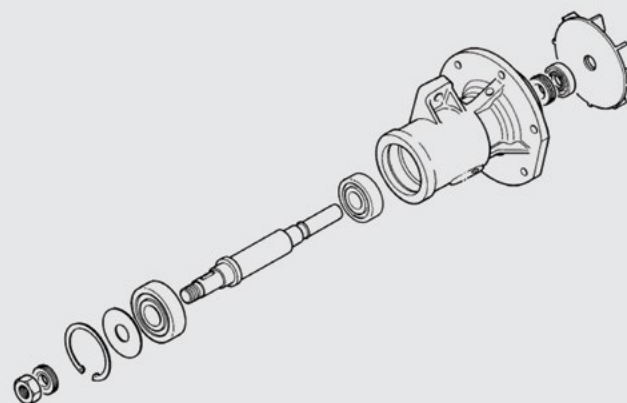
Fempar No	Cross References	Vehicle/Model	Engine
180-960-008-R		G 260 / 290 C 260 / 290 C 210, CLR 220 G 210 / 230 R 310 / 330 / 340 / 365 G 320 "R", R340TI C230 / 280 / 300 / 340TI / CCH300 MAXTER 6x4 - 8x4 "R", R340TI G 230 / 270 SP G 220 / 270 BOM "G" MANAGER 4x2 except / außer: G 300 "G" MANAGER	MIDR 062045 E MIDR 062045 E / 3

WATER PUMP



Fempar No	Cross References	Vehicle/Model	Engine
180-960-009	5010323187 5001837314	TR / GR 305 GR / TR 280 GRH / TRH 305 R310 4X2 GBH / TBH 280 GBH 260 / 280 6X6 GBH 260 / 280 6X4 R310 6X4 JSQ GLM / TLM 280 R 310 / 330 / 340 / 365 CBH / CLM 280 / 340 AE 380 / 385TI / 420TI / 500 / 520 „R” CBH / CLM 320 / 385 „R”	MDR 16/03/79 MIDR

*Hole: \varnothing 12,5 mm



REPAIR KIT



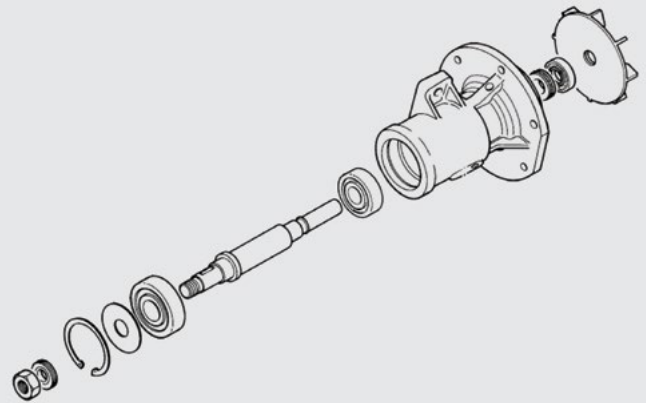
Fempar No	Cross References	Vehicle/Model	Engine
180-960-009-R		TR / GR 305 GR / TR 280 GRH / TRH 305 R310 4X2 GBH / TBH 280 GBH 260 / 280 6X6 GBH 260 / 280 6X4 R310 6X4 JSQ GLM / TLM 280 R 310 / 330 / 340 / 365 CBH / CLM 280 / 340 AE 380 / 385TI / 420TI / 500 / 520 „R” CBH / CLM 320 / 385 „R”	MDR 16/03/79 MIDR

WATER PUMP



Fempar No	Cross References	Vehicle/Model	Engine
180-960-010	5010248921 5001837322	AE 380 / 385 TI / 420 TI / 500 / 520 CBH / CLM 320 / 385 „R“ AE Magnum 390 / 420 TI / 430 / 470 / 560	MDR 16/03/79 MIDR

*Hole: \varnothing 14,5 mm

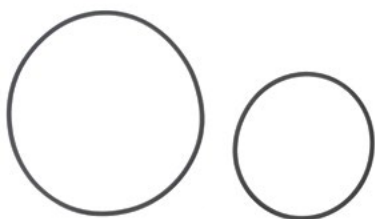


REPAIR KIT



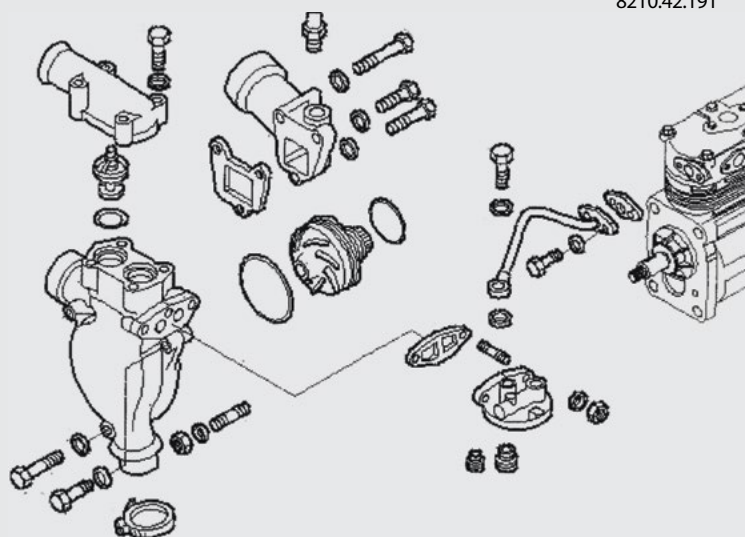
Fempar No	Cross References	Vehicle/Model	Engine
180-960-010-R		TR / GR 305 GR / TR 280 GRH / TRH 305 R310 4X2 GBH / TBH 280 GBH 260 / 280 6X6 GBH 260 / 280 6X4 R310 6X4 JSQ GLM / TLM 280 R 310 / 330 / 340 / 365 CBH / CLM 280 / 340 AE 380 / 385TI / 420TI / 500 / 520 „R“ CBH / CLM 320 / 385 „R“	MDR 16/03/79 MIDR

WATER PUMP



Fempar No	Cross References	Vehicle/Model	Engine
180-801-001	42530033 93190287	330 - 36 H	8210.42.011
		190 - 36 TURBOTECH	8210.42.073
	220 - 36 TURBOTECH	8210.42.074	
	240 - 36 TURBOTECH	8210.42.077	
	260 - 36 TURBOTECH	8210.42.151	
	190 - 36 TURBOSTAR	8210.42.152	
	240 - 36 TURBOSTAR	8210.42.154	
	260 - 36 TURBOSTAR	8210.42.155	
	190 - 36 GV TURBO-TECH 240 - 36 GV TURBO-TECH	8210.42.160	
		8210.42.162	
		8210.42.172	
		8210.42.181	
		8210.42.185	
		8210.42.191	

*Drive gear: 19 teeth

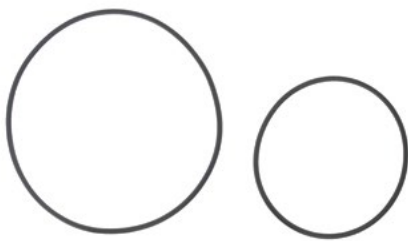


REPAIR KIT



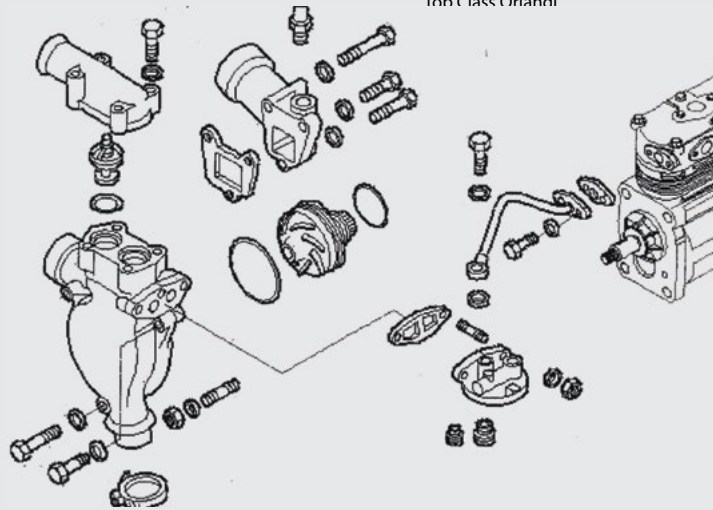
Fempar No	Cross References	Vehicle/Model	Engine
180-801-001-R		330 - 36 H	8210.42.011
		190 - 36 TURBOTECH	8210.42.073
		220 - 36 TURBOTECH	8210.42.074
		240 - 36 TURBOTECH	8210.42.077
		260 - 36 TURBOTECH	8210.42.151
		190 - 36 TURBOSTAR	8210.42.152
		240 - 36 TURBOSTAR	8210.42.154
		260 - 36 TURBOSTAR	8210.42.155
		190 - 36 GV TURBO-TECH	8210.42.160
		240 - 36 GV TURBO-TECH	8210.42.162
			8210.42.172
			8210.42.181
			8210.42.185
			8210.42.191
			8210.42.195

WATER PUMP



Fempar No	Cross References	Vehicle/Model	Engine
180-801-002	500350798 93190284	Eurotech 180 E30 – E34 190 E30 – E34 190 E38 – 240 E38 400 E34 – 400 E38 440 E34 Eurotrakker 190 E34 H 380 E34 H Eurostar 190 E38 – 242 E38 440 E38 HD7 44.34 HD7 64.34 HD7 66.34 Bus Euroclass 370, 380, 391, 590 Top Class Orlandi	8460.21 6 cyl. 9495 cm ³ 8460.21-8460.41

*Drive gear:23 teeth

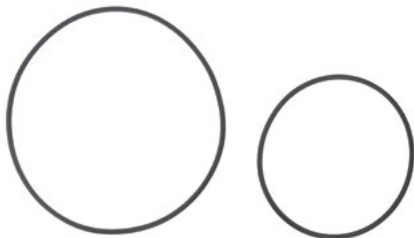


REPAIR KIT



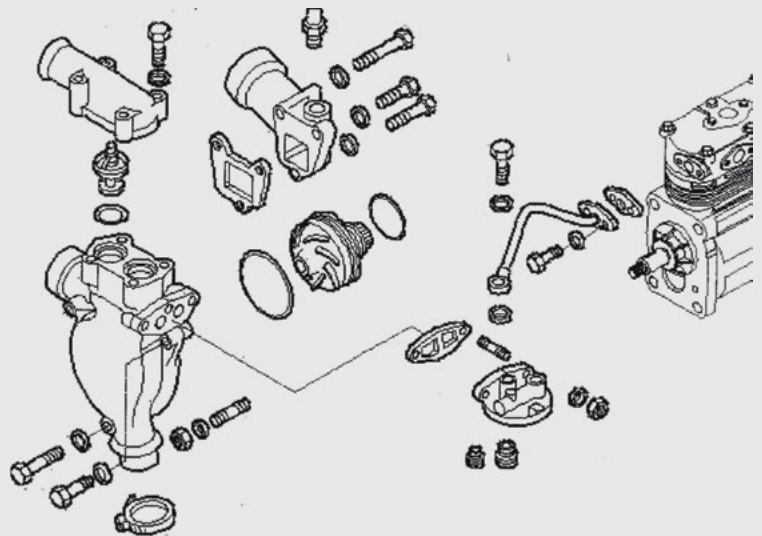
Fempar No	Cross References	Vehicle/Model	Engine
180-801-002-R		Eurotech 180 E30 – E34 190 E30 – E34 190 E38 – 240 E38 400 E34 – 400 E38 440 E34 Eurotrakker 190 E34 H 380 E34 H Eurostar 190 E38 – 242 E38 440 E38 HD7 44.34 HD7 64.34 HD7 66.34 Bus Euroclass 370, 380, 391, 590 Top Class Orlandi	8460.21 6 cyl. 9495 cm ³ 8460.21-8460.41

WATER PUMP



Fempar No	Cross References	Vehicle/Model	Engine
180-801-003	42530032 93190286	190 - 30 N 190 - 30 N - NT 190 - 36 TURBOSTAR 190 - 36 TURBOTECH 260 - 36 TURBOTECH 330 - 30 N 330 - 30 N - NW 330 - 36 H	8210.42

*Drive gear:24 teeth

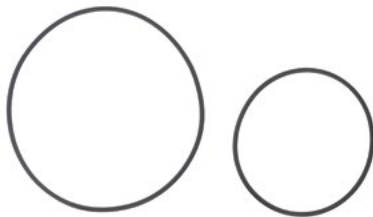


REPAIR KIT



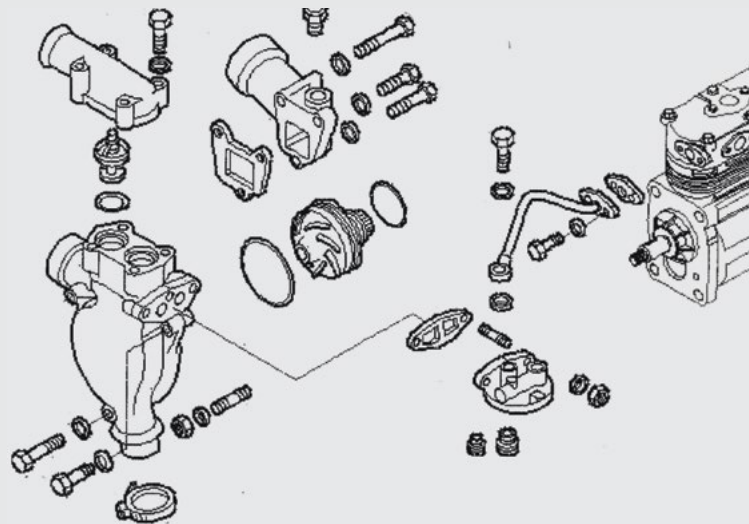
Fempar No	Cross References	Vehicle/Model	Engine
180-801-003-R		190 - 30 N 190 - 30 N - NT 190 - 36 TURBOSTAR 190 - 36 TURBOTECH 260 - 36 TURBOTECH 330 - 30 N 330 - 30 N - NW 330 - 36 H	8210.42

WATER PUMP



Fempar No	Cross References	Vehicle/Model	Engine
180-801-005	500350785 99445447	Eurotech Eurotrakker Eurostar up to / bis: 1995 HD7	8210.42 8210.42

*Drive gear:19 teeth

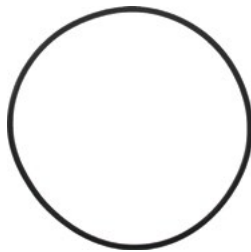


REPAIR KIT



Fempar No	Cross References	Vehicle/Model	Engine
180-801-005-R		Eurotech Eurotrakker Eurostar up to / bis: 1995 HD7	8210.42 8210.42

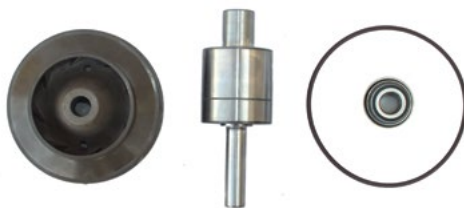
WATER PUMP



Fempar No	Cross References	Vehicle/Model	Engine
180-801-004	500356553	Eurotar LD 440 Eurotrakker MP 190 E MP 260 E MP 340 E MP 410 E Stralis AS 260 S 48 AS 260 S 54 AS 440 S 48 AS 440 S 54 Trakker AD 190 T 38W AD 190 T 44W AD 260 T 38	F3BE0681

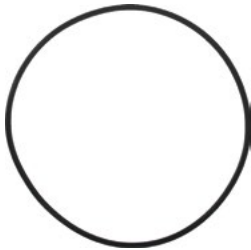
**Pulley with: 12 grooves*

REPAIR KIT



Fempar No	Cross REferences	Vehicle/Model	Engine
180-801-004-R		Eurotar LD 440 Eurotrakker MP 190 E MP 260 E MP 340 E MP 410 E Stralis AS 260 S 48 AS 260 S 54 AS 440 S 48 AS 440 S 54 Trakker AD 190 T 38W AD 190 T 44W AD 260 T 38	F3BE0681

WATER PUMP



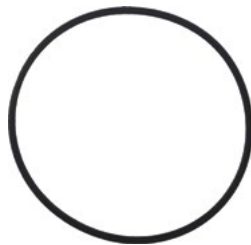
Fempar No	Cross References	Vehicle/Model	Engine
180-801-006	99483937	Eurotech 190 E 24 / E 27 260 E 24 / E 27 190 E 31 260 E 31 440 E 31 190 E 35 260 E 35 440 E 35	F2BE0681 F2BE3681
	<i>*Pulley with: 10 grooves</i>	Euromover 190 E 27 190 E 30 260 E 24 Eurotrakker 180 E 24 190 E 24 180 E 27 190 E 27 190 E 31 K 190 E 35 K 260 E 31 260 E 35 340 E 35 K 380 E 35 K 400 E 35 Stralis 190 S 27 260 S 27 190 S 31 260 S 31 190 S 35 260 S 35 Trakker 190 T 35 - 340 T 35	

REPAIR KIT

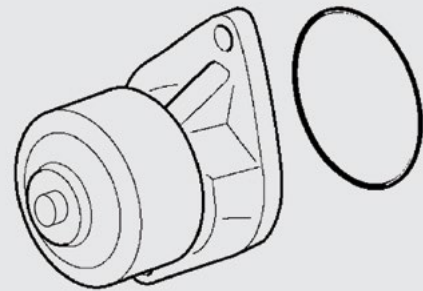


Fempar No	Cross References	Vehicle/Model	Engine
180-801-006-R		Eurotech 190 E 24 / E 27 260 E 24 / E 27 190 E 31 260 E 31 440 E 31 190 E 35 260 E 35 440 E 35	F2BE0681 F2BE3681
		Euromover 190 E 27 190 E 30 260 E 24 Eurotrakker 180 E 24 190 E 24 180 E 27 190 E 27	

WATER PUMP



Fempar No	Cross References	Vehicle/Model	Engine
180-801-007	504062854 4891252	E 4 Eurofire MY 2008 Tector	F4AE0681 F4AE3481



REPAIR KIT



Fempar No	Cross References	Vehicle/Model	Engine
180-801-007-R		E 4 Eurofire MY 2008 Tector	F4AE0681 F4AE3481